

MASSACHUSETTS DEPARTMENT OF TRANSPORTATION HIGHWAY DIVISION

PLAN AND PROFILE OF
CAPE COD RAIL TRAIL EXTENSION - PHASE 3
BRIDGE NO. Y-01-018 (C8R)
IN THE TOWNS OF
BARNSTABLE & YARMOUTH
BARNSTABLE COUNTY
PRELIMINARY RIGHT OF WAY PLANS

FEDERAL AID PROJECT NO. N/A

BARNSTABLE / YARMOUTH
CAPE COD RAIL TRAIL EXT. - PHASE 3

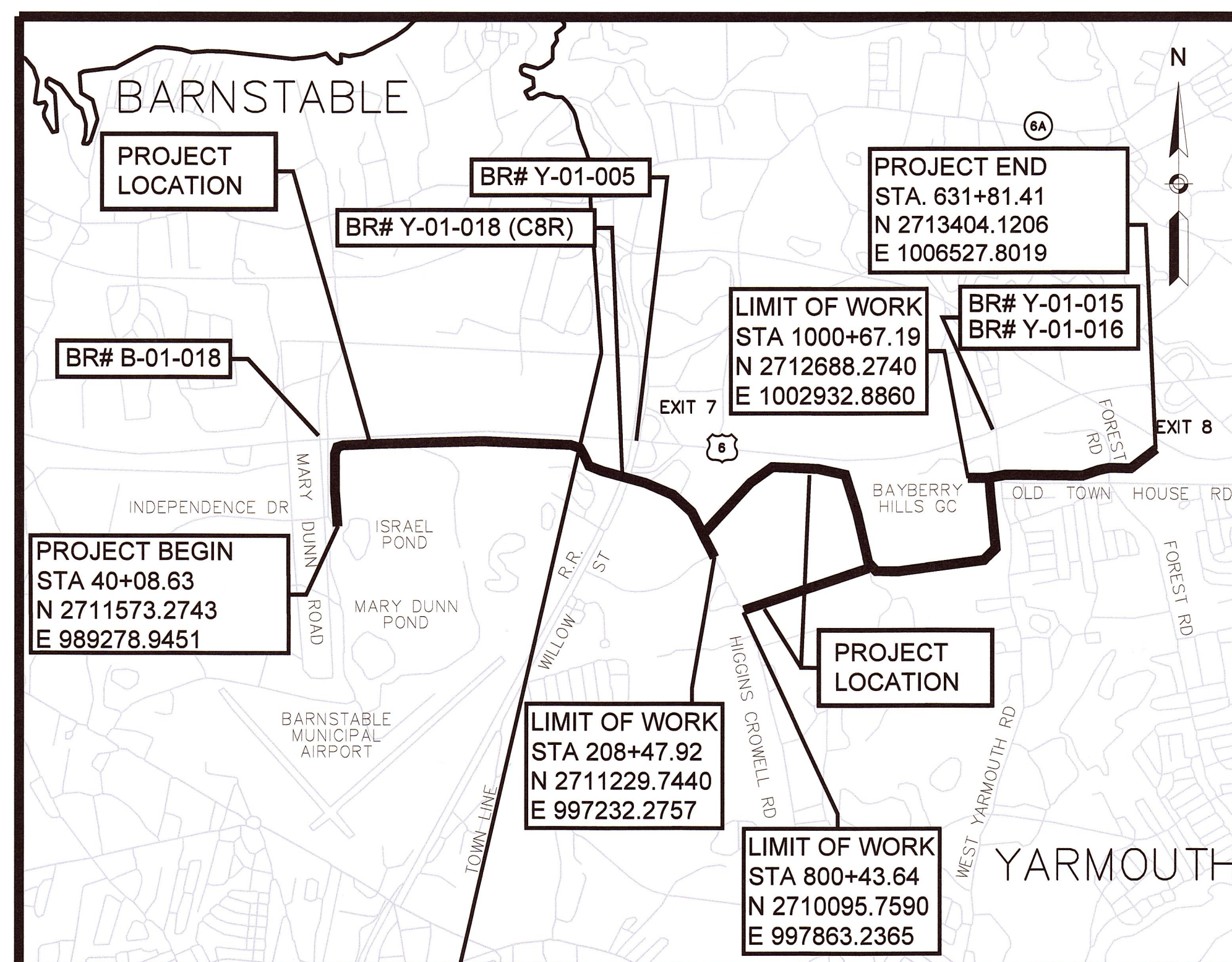
STATE	FED. AID PROJ. NO.	SHEET NO.	TOTAL SHEETS
MA	N/A	01	40

PROJECT FILE NO. 607398

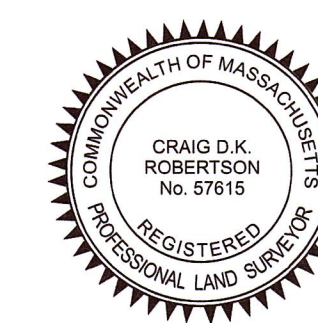
PRELIMINARY RIGHT OF WAY
TITLE SHEET & INDEX

THESE PLANS ARE SUPPLEMENTED BY THE OCTOBER 2017 CONSTRUCTION STANDARD DETAILS, THE 2015 OVERHEAD SIGNAL STRUCTURE AND FOUNDATION STANDARD DRAWINGS, MASSDOT TRAFFIC MANAGEMENT PLANS AND DETAIL DRAWINGS, THE 1990 STANDARD DRAWINGS FOR SIGNS AND SUPPORTS, THE 1988 STANDARD DRAWINGS FOR TRAFFIC SIGNALS AND HIGHWAY LIGHTING, AND THE LAST EDITION OF THE AMERICAN STANDARD FOR NURSERY STOCK.

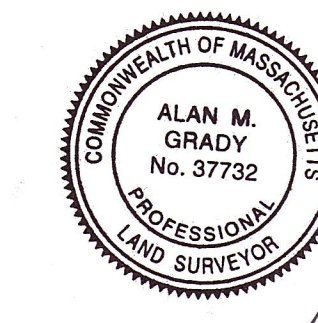
DATE	DESCRIPTION	REV #
04-05-2024	100% DESIGN REVISION 3	6
03-06-2024	100% DESIGN REVISION 2 NEW PARCELS: PUE-27, TE-69, TE-69 ALTERED PARCELS: BPE-1, BPE-11, BPE-12, BPE-14, TE-1, TE-11, TE-12, TE-16, TE-27, TE-28, TE-36, TE-47, TE-67 DELETED PARCELS: TE-37, TE-54	5
10-18-2023	100% DESIGN REVISION 1 NEW PARCELS: TE-62 TO TE-67 ALTERED PARCELS: 15-EG-2, BPE-10, BPE-14, BPE-24, PUE-24, PUE-25, TE-14, TE-19 TO TE-21, TE-24, TE-25, TE-27, TE-29, TE-31, TE-35, TE-42, TE-46, TE-48 DELETED PARCELS: PUE-1, PUE 15 TO PUE-22, PUE-26, TE-26, TE-51, TE-52, TE-60, TE-61	4
4-28-2023	100% DESIGN NEW PARCELS: 15-EG-1, 15-EG-2, BPE-26, PUE-26 ALTERED PARCELS: BPE-9, BPE-10 TO BPE-12, BPE-14, BPE-16, PUE-20, SL-1, SL-4, TE-1, TE-2, TE-5, TE-8, TE-10 TO TE-12, TE-15 TO TE-18, TE-20, TE-22, TE-23, TE-25, TE-28, TE-29, TE-32 TO TE-34, TE-36, TE-37, TE-39, TE-42, TE-47, TE-49, TE-51, TE-52, TE-54 TO TE-59 DELETED PARCELS: BPE-7, BPE-20, PUE-2, PUE-14, PUE-23, TE-53	3
11-24-2021	75% DESIGN NEW PARCELS: BPE-21 TO BPE-25, PUE-3 TO PUE-5, SL-1 TO SL-4, TE-51 TO TE-61 ALTERED PARCELS: BPE-1 TO BPE-7, BPE-9 TO BPE-23, PUE-2, TE-1 TO TE-12, TE-14 TO TE-16, TE-21 TO TE-24, TE-26 TO TE-29, TE-31 TO TE-36, TE-38 TO TE-42, TE-44 TO TE-47, TE-49, TE-50 DELETED PARCELS: BPE-8, BPE-18, BPE-19, PUE-3, TE-4, TE-13, TE-43	2
07-02-2019	UPDATES FOR APPROVED ALIGNMENT	1
02-19-2015	INITIAL SUBMISSION	0



THE LAYOUT LINES, AS REPRESENTED ON THE PRELIMINARY RIGHT OF WAY PLANS, ARE BASED UPON AN INSTRUMENT SURVEY THAT MEETS 250 CMR 6.00 AND ARE SUITABLE TO BE USED FOR A RECORDABLE PLAN, AND MEET THE STANDARDS SET FORTH IN BOTH 250 CMR 6.01 AND 6.02.



4/4/24
DATE CRAIG D. K. ROBERTSON, PLS #57615



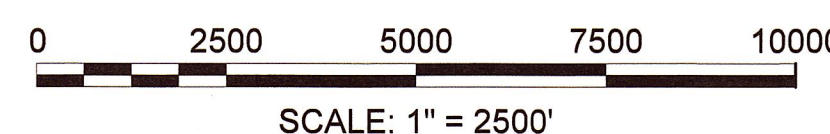
4/2/24
DATE ALAN M. GRADY, PLS #37732

INDEX

SHEET NO.	DESCRIPTION
01	TITLE SHEET & INDEX
02	LEGEND, ABBREVIATIONS & PROJECT DESCRIPTION
03 - 06	TYPICAL SECTIONS
07 - 12	CRITICAL PROFILE
13 - 18	PARCEL SUMMARY
19 - 21	LOCATION PLAN
22 - 40	PROPERTY PLAN

BASE MAP NOTES

- THE SURVEY BASE PLAN WAS PREPARED BY THE TOWN OF YARMOUTH BETWEEN THE DATES OF JUNE 2010 AND FEBRUARY 2014, VANASSE HANGEN BRUSTLIN, INC BETWEEN JULY AND AUGUST 2014 AND SUPPLEMENTED BY DOWN CAPE ENGINEERING IN MARCH 2017 AND BRACKEN ENGINEERING BETWEEN FEBRUARY AND JUNE 2021.
- THE MOST RECENT SITE VISIT WAS COMPLETED IN SEPTEMBER, 2022 TO VERIFY THAT THE EXISTING CONDITIONS SHOWN ON THE PLAN ARE THE CURRENT CONDITIONS IN THE FIELD.
- THE PROPERTY LINES SHOWN ON THE PLAN WERE COMPILED FROM RECORD DEEDS & PLANS AND CERTIFIED BY CRAIG ROBERTSON, A PLS IN THE COMMONWEALTH OF MASSACHUSETTS & ALAN GRADY A PLS IN THE COMMONWEALTH OF MASSACHUSETTS, IN DIRECT CHARGE AND SUPERVISION OF THE SURVEY BASEMAP. INDIVIDUAL ABUTTER PROPERTIES WERE NOT SURVEYED.
- LAYOUT LINES ARE UNAMBIGUOUSLY RETRACEABLE AND DEPICTED ACCURATELY ON THE RIGHT OF WAY PLANS BY AN ON-THE-GROUND SURVEY PERFORMED IN ACCORDANCE WITH 250 CMR 6.01 AND 6.02.
- THE OWNERS HAVE BEEN CHECKED AND UPDATED PER THE REGISTRY OF DEEDS AS OF OCTOBER, 2023.
- THE PREQUALIFIED SURVEYOR UNDER THE S3 CATEGORY IS PARTICIPATING IN THE DEVELOPMENT OF THE ROW PLANS. CRAIG D. K. ROBERTSON, PLS HAS VERIFIED HIGHWAY LAYOUT BASELINES AND SIDELINES, VERIFIED MUNICIPAL LAYOUTS, VERIFIED THAT ABUTTERS' PROPERTY LINES ARE CREATED BASED ON RECORD DEEDS AND PLANS, VERIFIED CURRENT ABUTTERS OWNERSHIP INFORMATION, VERIFIED EXISTING PERMANENT EASEMENTS, AND VERIFIED ANY OTHER ELEMENTS IN THE SURVEY BASE PLAN THAT AFFECT DISPOSITIONS AND LAND ACQUISITIONS.



LENGTH OF PROJECT = 23,172.74 FEET = 4.389 MILES

<p>PLAN PREPARED BY:</p> <p>101 WALNUT STREET WATERTOWN, MA 02471</p>	<p>RECOMMENDED FOR APPROVAL</p> <p>_____ CHIEF ENGINEER</p> <p>_____ DATE</p>
	<p>DEPARTMENT OF TRANSPORTATION FEDERAL HIGHWAY ADMINISTRATION</p> <p>APPROVED:</p> <p>_____ DIVISION ADMINISTRATOR</p> <p>_____ DATE</p>

GENERAL SYMBOLS

EXISTING	PROPOSED	DESCRIPTION
		JERSEY BARRIER ON BRIDGE OR JERSEY BARRIER
		CATCH BASIN
		CATCH BASIN CURB INLET
		FLARED END SECTION (FES)
		FLAG POLE
		GAS PUMP
		MAIL BOX
		POST SQUARE
		POST CIRCULAR
		WELL
		ELECTRIC HANDHOLE
		FENCE GATE POST
		GAS GATE
		BORING HOLE
		MONITORING WELL
		TEST PIT
		HYDRANT
		LIGHT POLE
		COUNTY BOUND
		GPS POINT
		CABLE MANHOLE
		DRAINAGE MANHOLE OR LEACHING BASIN
		ELECTRIC MANHOLE
		GAS MANHOLE
		MISC MANHOLE
		SEWER MANHOLE
		TELEPHONE MANHOLE
		WATER MANHOLE
		MASSACHUSETTS HIGHWAY BOUND
		MONUMENT
		STONE BOUND
		TOWN OR CITY BOUND
		TRAVERSE OR TRIANGULATION STATION
		TROLLEY POLE OR GUY POLE
		TRANSMISSION POLE
		UTILITY POLE W/ FIREBOX
		UTILITY POLE WITH DOUBLE LIGHT
		UTILITY POLE W / 1 LIGHT
		UTILITY POLE
		BUSH
		TREE
		STUMP
		SWAMP / MARSH
		WATER GATE
		PARKING METER
		OVERHEAD CABLE/WIRE
		CURBING
		CONTOURS
		UNDERGROUND DRAIN PIPE (DOUBLE LINE 24 INCH AND OVER)
		UNDERGROUND ELECTRIC DUCT (DOUBLE LINE 24 INCH AND OVER)
		UNDERGROUND GAS MAIN (DOUBLE LINE 24 INCH AND OVER)
		UNDERGROUND SEWER MAIN (DOUBLE LINE 24 INCH AND OVER)
		UNDERGROUND TELEPHONE DUCT (DOUBLE LINE 24 INCH AND OVER)
		UNDERGROUND WATER MAIN (DOUBLE LINE 24 INCH AND OVER)
		MSE RETAINING WALL / TEMPORARY SHEETING
		BALANCE STONE WALL
		GUARD RAIL - STEEL POSTS
		GUARD RAIL - WOOD POSTS
		CHAIN LINK OR METAL FENCE
		SPLIT RAIL WOOD FENCE
		WOOD RAILING
		COMPOST FILTER TUBE
		TREE LINE OR LIMIT OF CLEARING AND GRUBBING
		SAWCUT LINE
		TOP OR BOTTOM OF SLOPE
		LIMIT OF EDGE OF PAVEMENT OR COLD PLANE AND OVERLAY
		BANK OF RIVER OR STREAM
		BORDER OF WETLAND
		100 FT WETLAND BUFFER
		200 FT RIVERFRONT BUFFER
		STATE HIGHWAY LAYOUT
		TOWN OR CITY LAYOUT
		COUNTY LAYOUT
		RAILROAD SIDELINE
		TOWN OR CITY BOUNDARY LINE
		PROPERTY LINE OR APPROXIMATE PROPERTY LINE
		EASEMENT
		FULL DEPTH PAVEMENT
		RIP RAP SLOPE PROTECTION AND MODIFIED ROCK FILL
		DRAINAGE DITCH

TRAFFIC SYMBOLS

EXISTING	PROPOSED	DESCRIPTION
		RAILROAD SIGNAL
		SIGNAL POST AND BASE (ALPHA-NUMERIC DESIGNATION NOTED)
		MAST ARM, SHAFT AND BASE (ARM LENGTH AS NOTED)
		HIGH MAST POLE OR TOWER
		SIGN AND POST
		SIGN AND POST (2 POSTS)
		MAST ARM WITH LUMINAIRE
		OPTICAL PRE-EMPTION DETECTOR
		CONTROL CABINET, GROUND MOUNTED
		CONTROL CABINET, POLE MOUNTED
		FLASHING BEACON CONTROL AND METER PEDESTAL
		LOAD CENTER ASSEMBLY
		PULL BOX 12"x12" (OR AS NOTED)
		ELECTRIC HANDHOLE 12"x24" (OR AS NOTED)
		TRAFFIC SIGNAL CONDUIT

PAVEMENT MARKINGS SYMBOLS

EXISTING	PROPOSED	DESCRIPTION
		PAVEMENT ARROW - WHITE
		LEGEND "ONLY" - WHITE
		STOP LINE - 12" WIDE
		CROSSWALK - WIDTH AS NOTED
		SOLID WHITE LINE - 4" WIDE
		SOLID YELLOW LINE - 4" WIDE
		BROKEN WHITE LINE - 4" WIDE
		BROKEN YELLOW LINE - 4" WIDE
		DOTTED WHITE LINE - 4" WIDE
		DOTTED YELLOW LINE - 4" WIDE
		DOTTED WHITE LINE EXTENSION - 4" WIDE
		DOTTED YELLOW LINE EXTENSION - 4" WIDE
		DOUBLE WHITE LINE - 4" WIDE
		DOUBLE YELLOW LINE - 4" WIDE

ABBREVIATIONS

GENERAL	DESCRIPTION
ABAN	ABANDON
ADJ	ADJUST
APPROX.	APPROXIMATE
BIT.	BITUMINOUS
BD.	BOUND
BL	BASELINE
BLDG	BUILDING
BM	BENCHMARK
BO	BY OTHERS
BOS	BOTTOM OF SLOPE
BR.	BRIDGE
CCRT	CAPE COD RAIL TRAIL
CEM	CEMENT
CLF	CHAIN LINK FENCE
CL	CENTERLINE
CONC	CONCRETE
CONT	CONTINUOUS
CONST	CONSTRUCTION
DIA	DIAMETER
ELEV (or EL.)	ELEVATION
EOP	EDGE OF PAVEMENT
EXIST	EXISTING
FDN.	FOUNDATION
GP	GATE POST
GRAN	GRANITE
GRAV	GRAVEL
GRD	GUARD
HMA	HOT MIX ASPHALT
L&S	LOAM AND SEED
LT, L	LEFT
MAX	MAXIMUM
MIN	MINIMUM
NTS	NOT TO SCALE
PROP	PROPOSED

ABBREVIATIONS

GENERAL	(CONTINUED)	DESCRIPTION
OD		OUTSIDE DIAMETER
PVM/T		PAVEMENT
REM		REMOVE
REMOD		REMODEL
RET		RETAIN
R&D		REMOVE AND DISCARD
R&R		REMOVE AND RESET
R&S		REMOVE AND STACK
RT, R		RIGHT
SGE		SLOPED GRANITE EDGING
STA		STATION
SUP		SHARED USE PATH
TEMP		TEMPORARY
TOS		TOP OF SLOPE
TYP		TYPICAL
UTILITIES		
CIP		CAST IRON PIPE
CIT		CHANGE IN TYPE
COND		CONDUIT
DB		DIRECT BURIAL
FES		FLARED END SECTION
F&C		FRAME & COVER
F&G		FRAME & GRATE
HDPE		HIGH DENSITY POLYETHYLENE PIPE
HW		HEADWALL
HYD		HYDRANT
INV		INVERT
LB		LEACHING BASIN
PVC		POLYVINYL CHLORIDE PIPE
PWW		PAVED WATER WAY
RCP		REINFORCED CONCRETE PIPE
TSV&B		TAPPING SLEEVE, VALVE, & BODY
UP		UTILITY POLE

ABBREVIATIONS

ALIGNMENT/GRADING	DESCRIPTION
BC	BOTTOM OF CURB
CC	CENTER OF CURVE
HP	HIGH POINT
LP	LOW POINT
PC	POINT OF CURVE
PI	POINT OF INTERSECTION
PNT	POINT
PCC	POINT OF COMPOUND CURVE
PRC	POINT OF REVERSE CURVE
PT 25.45	POINT OF TANGENT
PROFILES	
AD	ALGEBRAIC DIFFERENCE IN RATES OF GRADE
ELEV	ELEVATION
HSD	HORIZONTAL SIGHT DISTANCE
K	RATE OF VERTICAL CURVATURE
PVI	POINT OF VERTICAL INTERSECTION
PVC	POINT OF VERTICAL CURVE
PVT	POINT OF VERTICAL TANGENT
PVRC	POINT OF VERTICAL REVERSE CURVE
PVCC	POINT OF VERTICAL COMPOUND CURVE
SSD	STOPPING SIGHT DISTANCE
VC	VERTICAL CURVE

**BARNSTABLE / YARMOUTH
CAPE COD RAIL TRAIL EXT. - PHASE 3**

STATE	FED. AID PROJ. NO.	SHEET NO.	TOTAL SHEETS
MA	N/A	02	40

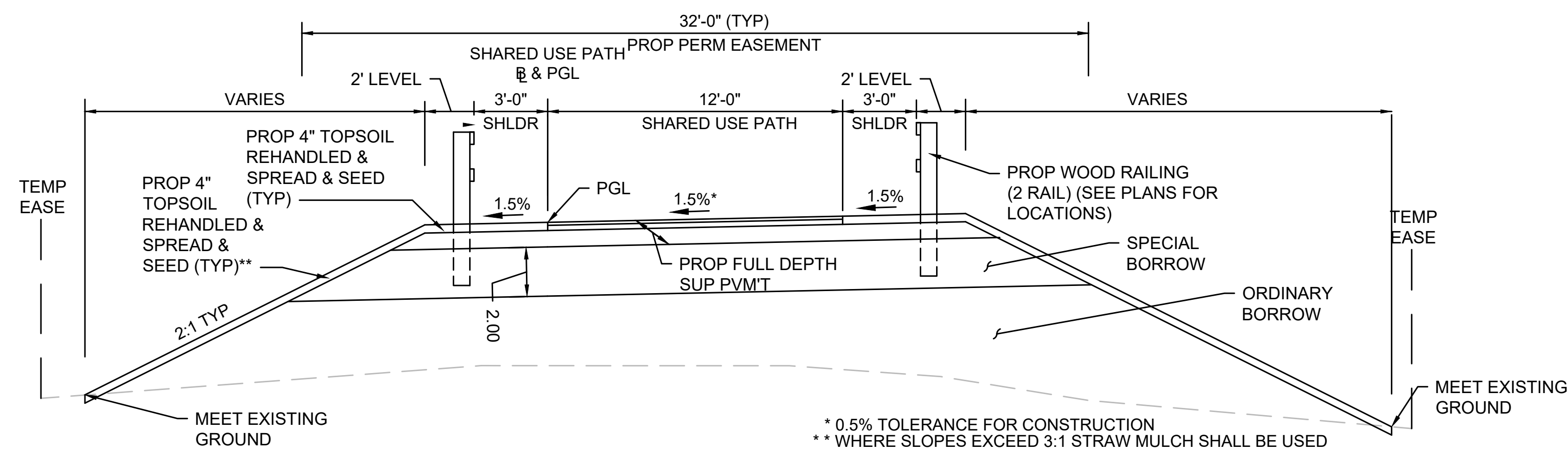
PROJECT FILE NO. 607398

**LEGEND, ABBREVIATIONS
& PROJECT DESCRIPTION**

PROJECT DESCRIPTION:

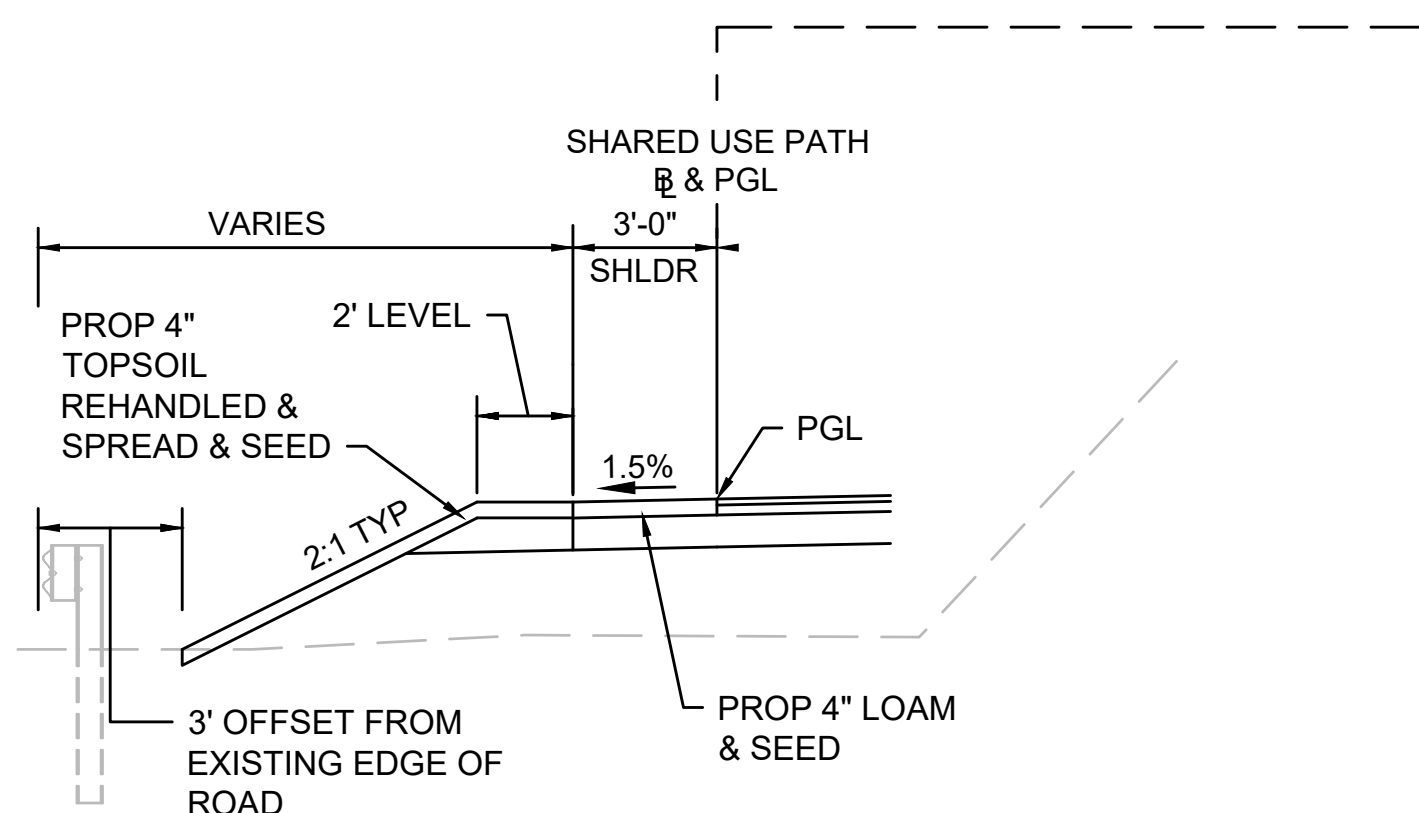
THE PROPOSED PROJECT CONSISTS OF CONSTRUCTION OF A SHARED USE PATH IN THE TOWNS OF BARNSTABLE & YARMOUTH. THE PROJECT BEGINS AT MARY DUNN ROAD IN BARNSTABLE AND ENDS AT PETER HOMER PARK IN YARMOUTH. INTERSECTION IMPROVEMENTS INCLUDE AT GRADE ACCESSIBLE CROSSINGS OF OLD TOWN HOUSE ROAD, WEST YARMOUTH ROAD AND FOREST ROAD. A GRADE SEPARATED CROSSING OF WILLOW STREET AND THE RAILROAD TRACKS ALONG THE WEST SIDE OF WILLOW STREET IS PROPOSED WITH A BICYCLIST & PEDESTRIAN BRIDGE. THE PROJECT INCLUDES CONSTRUCTION OF NEW PARKING AREAS AT MARY DUNN ROAD & HIGGINS CROWELL ROAD AND A RECONSTRUCTED PARKING LOT ON OLD TOWN HOUSE ROAD. THE PROJECT WILL INCLUDE DRAINAGE IMPROVEMENTS, CROSSWALKS, REGULATORY SIGNAGE, LANDSCAPING AND WHEELCHAIR RAMP CONSTRUCTION.

STATE	FED. AID PROJ. NO.	SHEET NO.	TOTAL SHEETS
MA	N/A	03	40



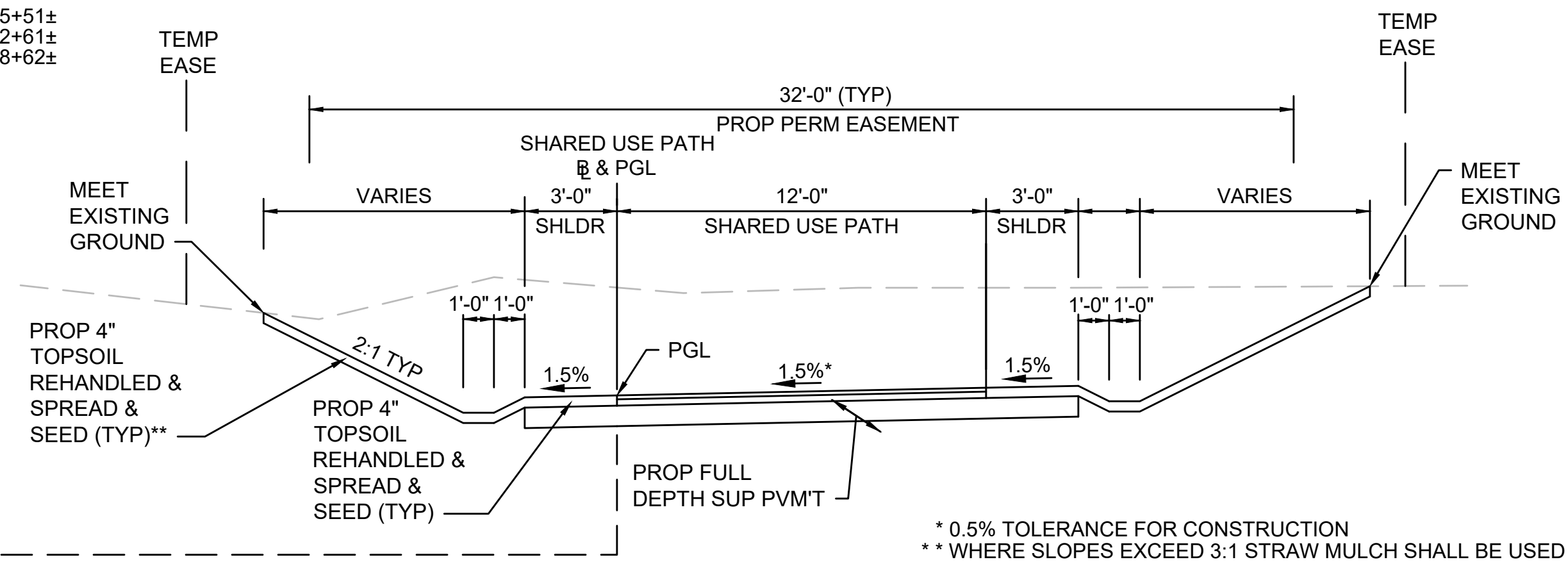
TYPICAL SHARED USE PATH SECTION - NO DITCH

CCRT EXTENSION - WEST
 STA 50+59± TO STA 51+53±, STA 57+50± TO STA 58+90±, STA 59+68± TO STA 61+00±
 STA 65+64± TO STA 66+68±, STA 72+53± TO STA 73+70±, STA 74+11± TO STA 77+21±
 STA 81+38± TO STA 86+21±, STA 87+00± TO STA 89+89±, STA 91+57± TO STA 92+59±
 STA 93+68± TO STA 96+29±, STA 97+15± TO STA 101+59±, STA 107+61± TO STA 111+03±
 STA 113+55± TO STA 119+22±, STA 120+15± TO STA 122+11±, STA 123+86± TO STA 124+60±
 STA 125+87± TO STA 126+34±, STA 127+56± TO STA 128+81±, STA 131+16± TO STA 133+30±
 CCRT EXTENSION - EAST
 STA 501+28± TO STA 502+10±, STA 502+69± TO STA 503+01±, STA 503+79± TO STA 505+51±
 STA 505+98± TO STA 508+11±, STA 508+54± TO STA 509+11±, STA 512+38± TO STA 512+61±
 STA 513+66± TO STA 522+20±, STA 523+19± TO STA 536+72±, STA 537+69± TO STA 548+62±
 STA 549+35± TO STA 550+15±
 NTS



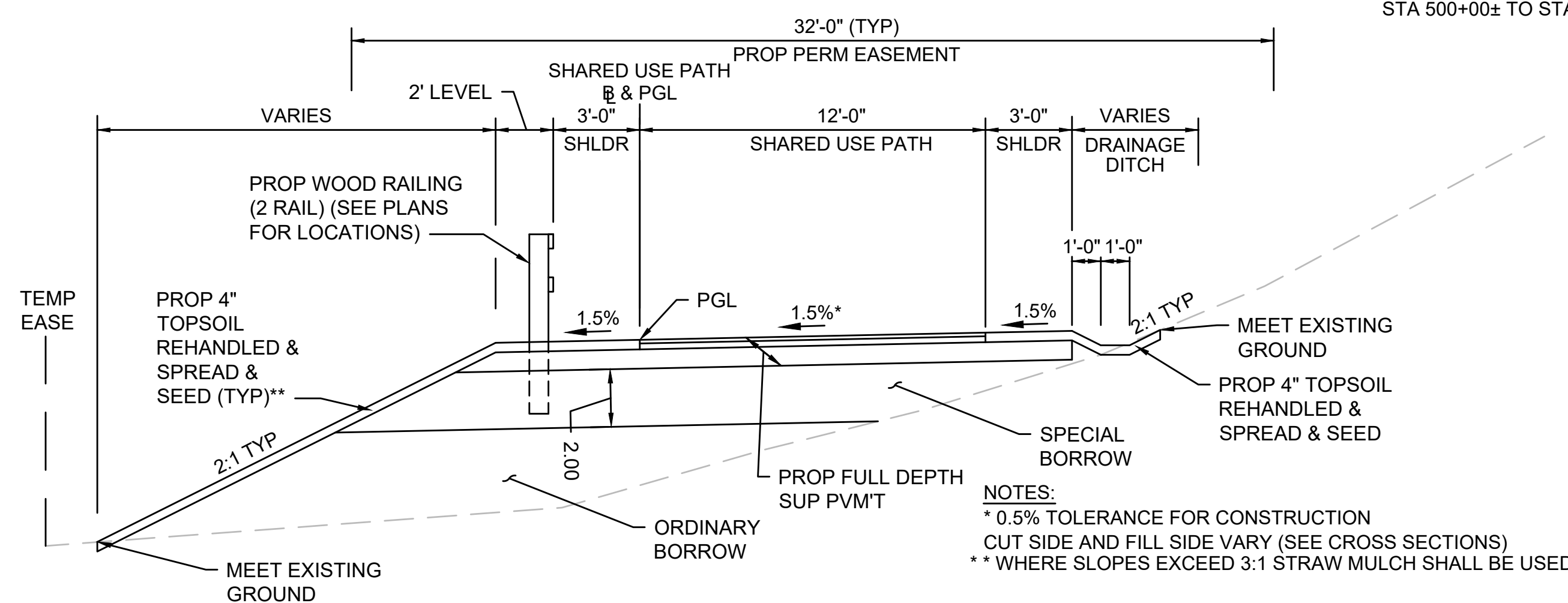
TYPICAL SHARED USE PATH SECTION

CCRT EXTENSION - WEST
 STA 52+50± TO STA 55+50±
 NTS



TYPICAL SHARED USE PATH SECTION - DITCH BOTH SIDES

CCRT EXTENSION - WEST
 STA 51+59± TO STA 57+00±, STA 58+93± TO STA 59+44±, STA 61+39± TO STA 63+00±
 STA 64+20± TO STA 65+20±, STA 66+68± TO STA 69+70±, STA 73+88± TO STA 74+11±
 STA 77+60± TO STA 80+75±, STA 86+21± TO STA 86+56±, STA 102+20± TO STA 106+89±
 STA 112+40± TO STA 113+65±, STA 118+70± TO STA 120+15±, STA 124+75± TO STA 125+87±
 STA 126+90± TO STA 127+40±, STA 128+90± TO STA 130+60±
 CCRT EXTENSION - EAST
 STA 500+00± TO STA 500+89±, STA 509+60± TO STA 511+89±, STA 512+61± TO STA 513+60±
 NTS

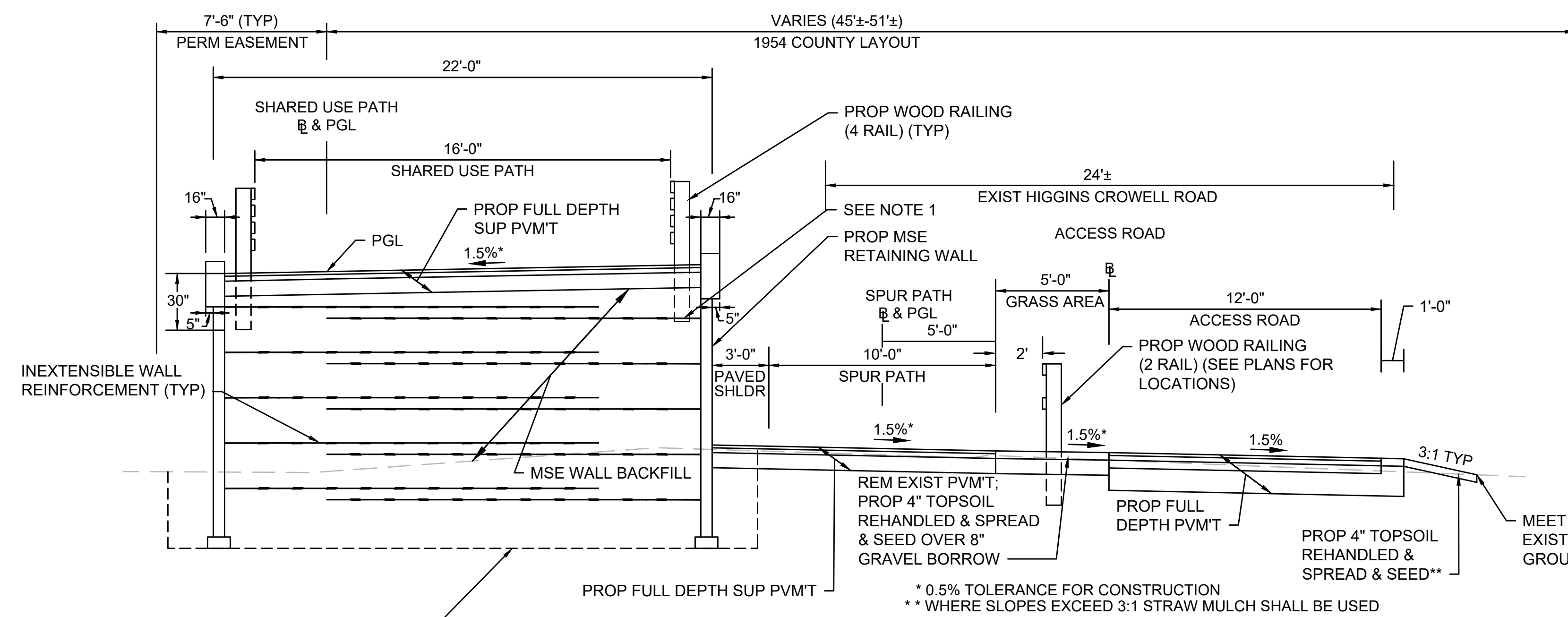


TYPICAL SHARED USE PATH SECTION - DITCH ONE SIDE

CCRT EXTENSION - WEST
 STA 57+00± TO STA 57+50±, STA 59+44± TO STA 59+68±, STA 61+00± TO STA 61+39±
 STA 63+00± TO STA 64+20±, STA 65+20± TO STA 65+64±, STA 69+70± TO STA 72+53±
 STA 73+70± TO STA 73+88±, STA 77+21± TO STA 77+60±, STA 80+75± TO STA 81+38±
 STA 86+56± TO STA 87+00±, STA 89+89± TO STA 91+57±, STA 92+59± TO STA 93+68±
 STA 96+29± TO STA 97+15±, STA 101+59± TO STA 102+20±, STA 106+89± TO STA 107+61±
 STA 111+03± TO STA 112+40±, STA 119+22± TO STA 118+70±, STA 122+11± TO STA 123+86±
 STA 124+60± TO STA 124+75±, STA 126+34± TO STA 126+90±, STA 127+40± TO STA 127+56±
 STA 128+81± TO STA 128+90±, STA 130+60± TO STA 131+16±
 CCRT EXTENSION - EAST
 STA 500+89± TO STA 501+28±, STA 502+10± TO STA 502+89±, STA 503+01± TO STA 503+79±, STA 505+51± TO STA 505+98±
 STA 508+11± TO STA 508+54±, STA 509+11± TO STA 509+60±, STA 511+89± TO STA 512+38±, STA 513+60± TO STA 513+66±
 STA 520+22± TO STA 523+19±, STA 536+72± TO STA 537+69±, STA 548+62± TO STA 549+35±
 NTS

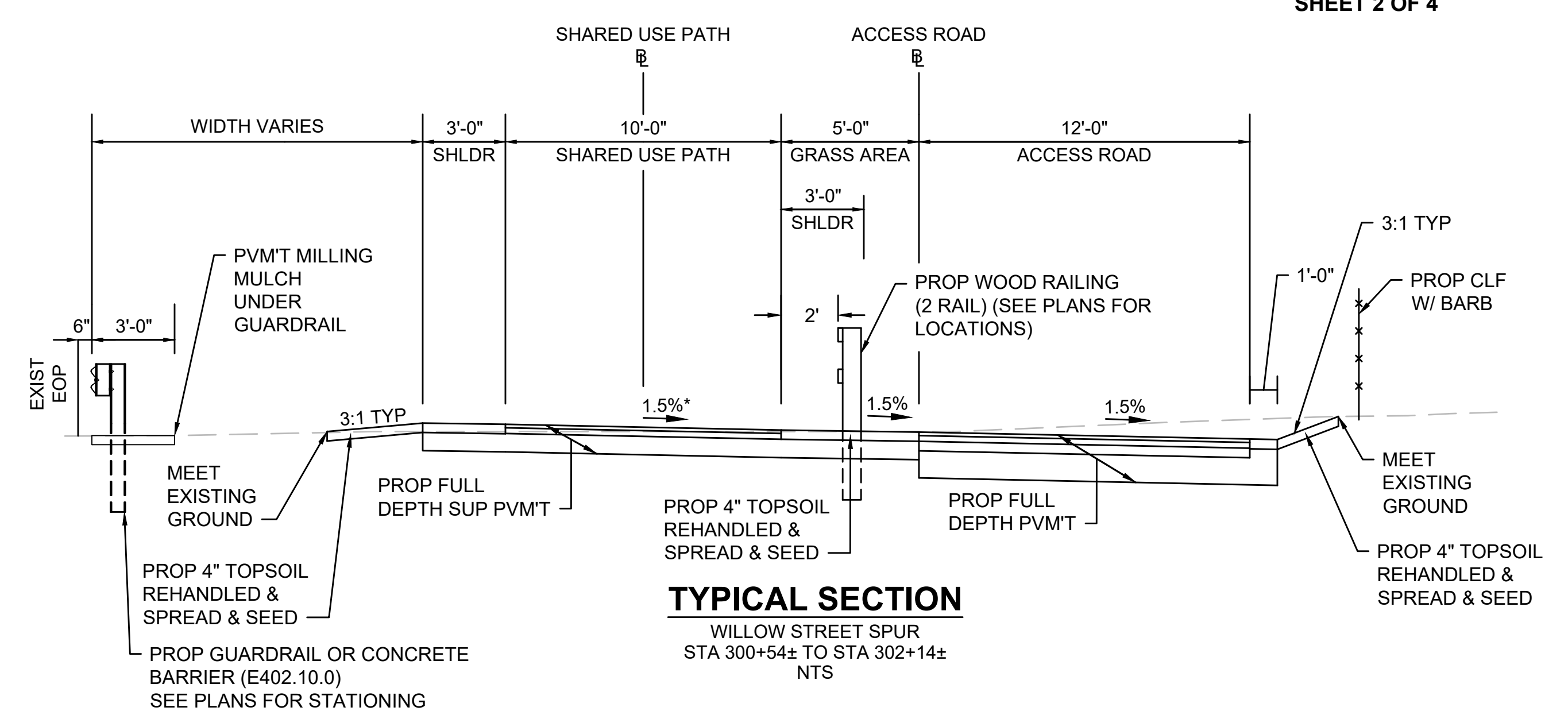
STATE	FED. AID PROJ. NO.	SHEET NO.	TOTAL SHEETS
MA	N/A	04	40

PROJECT FILE NO. 607398



TYPICAL SHARED USE PATH SECTION

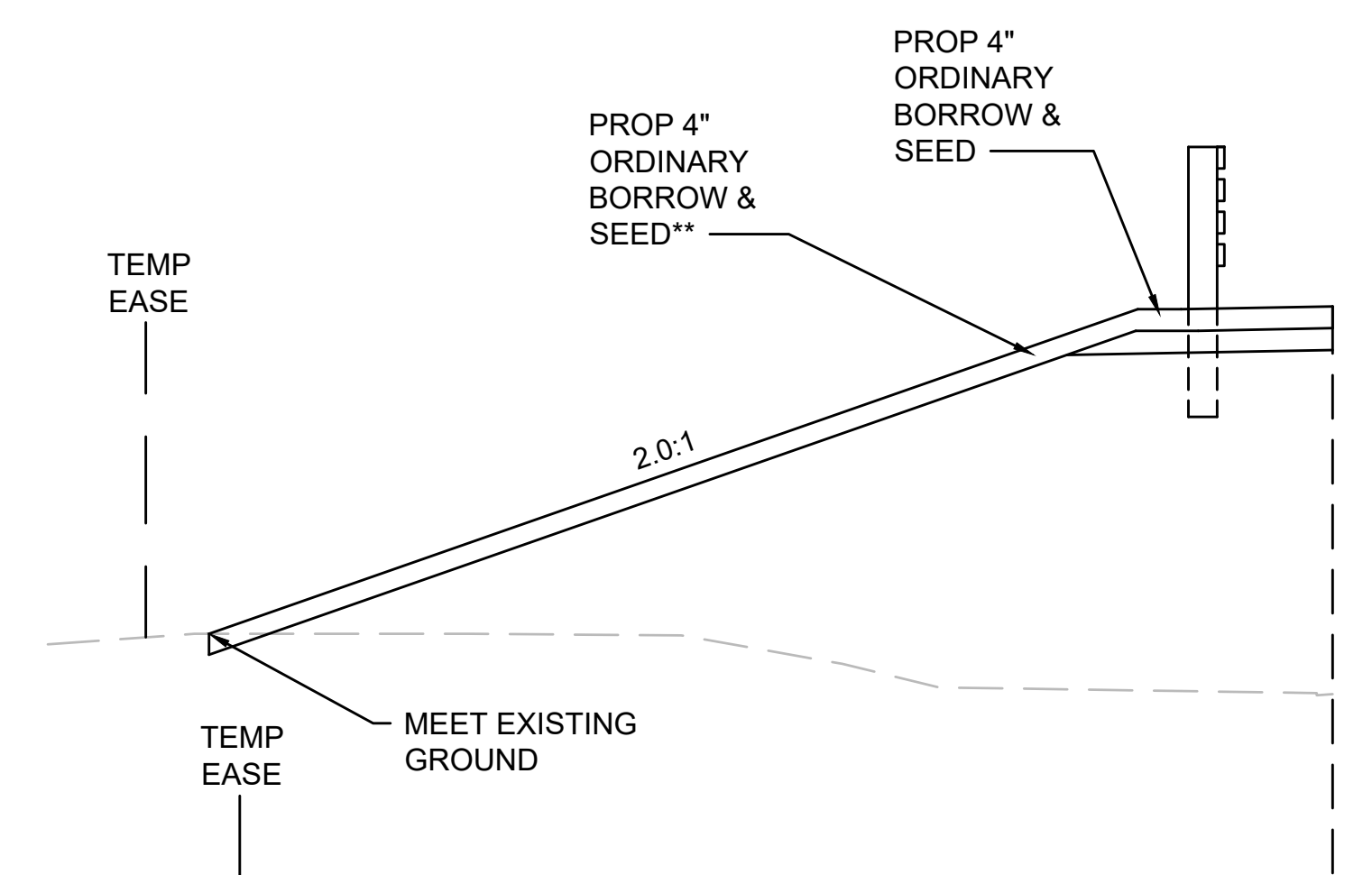
CCRT EXTENSION - WEST
STA 135+95± TO STA 136+98±
NTS



TYPICAL SECTION

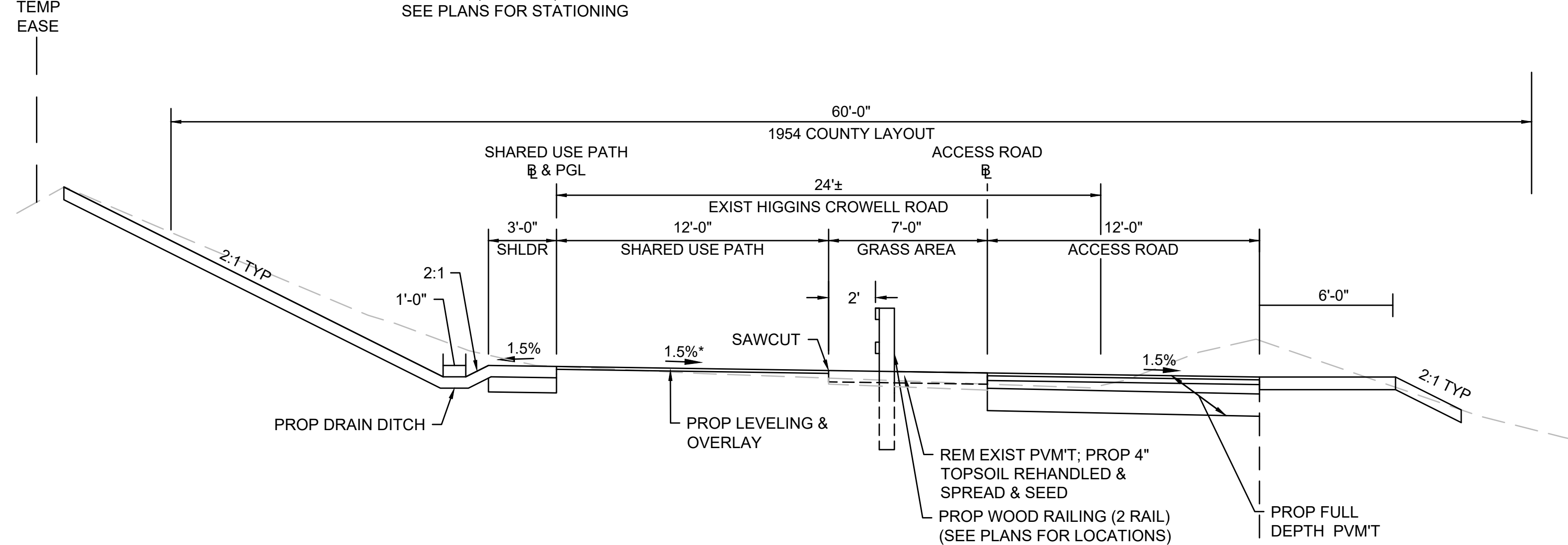
WILLOW STREET SPUR
STA 300+54± TO STA 302+14±
NTS

NOTE:
1. THE CONTRACTOR SHALL LAY OUT THE MSE SOIL REINFORCING STRIPS TO PREVENT CONFLICTS WITH THE WOOD RAILING POSTS. REINFORCING STRIPS SHALL BE LAID OUT ACCORDING TO THE MANUFACTURER'S DESIGN PLANS AND SPECIFICATIONS.



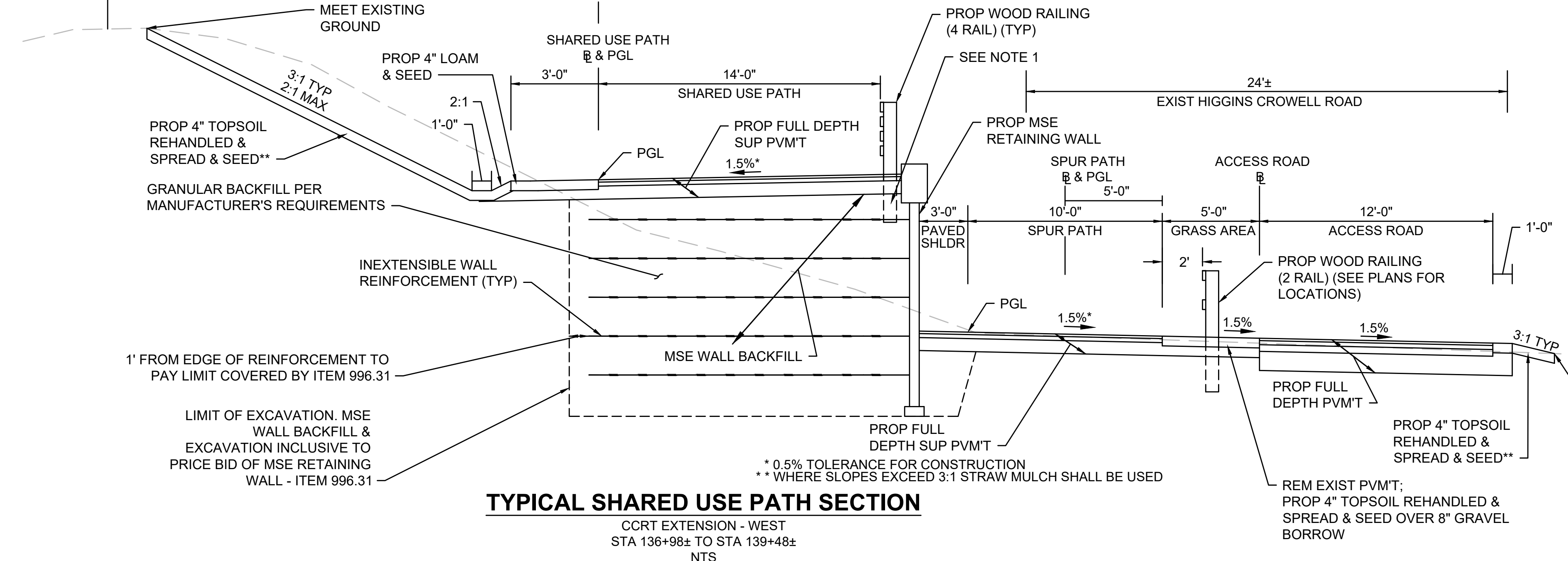
TYPICAL SHARED USE PATH SECTION

CCRT EXTENSION - WEST
STA 136+98± TO STA 137+86±
NTS



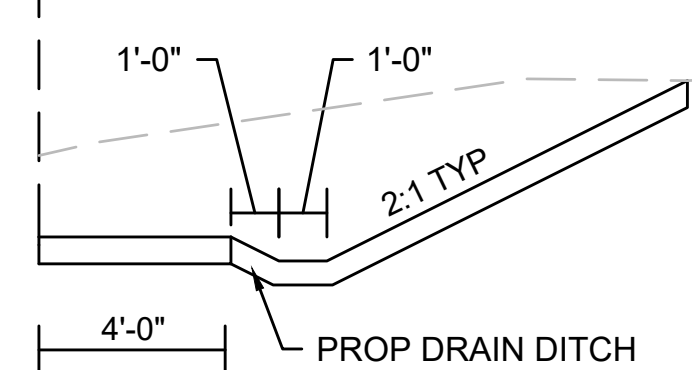
TYPICAL SHARED USE PATH SECTION

CCRT EXTENSION - WEST (HIGGINS CROWELL ROAD)
STA 140+69± TO STA 144+30±
STA 147+30± TO STA 149+51±
NTS



TYPICAL SHARED USE PATH SECTION

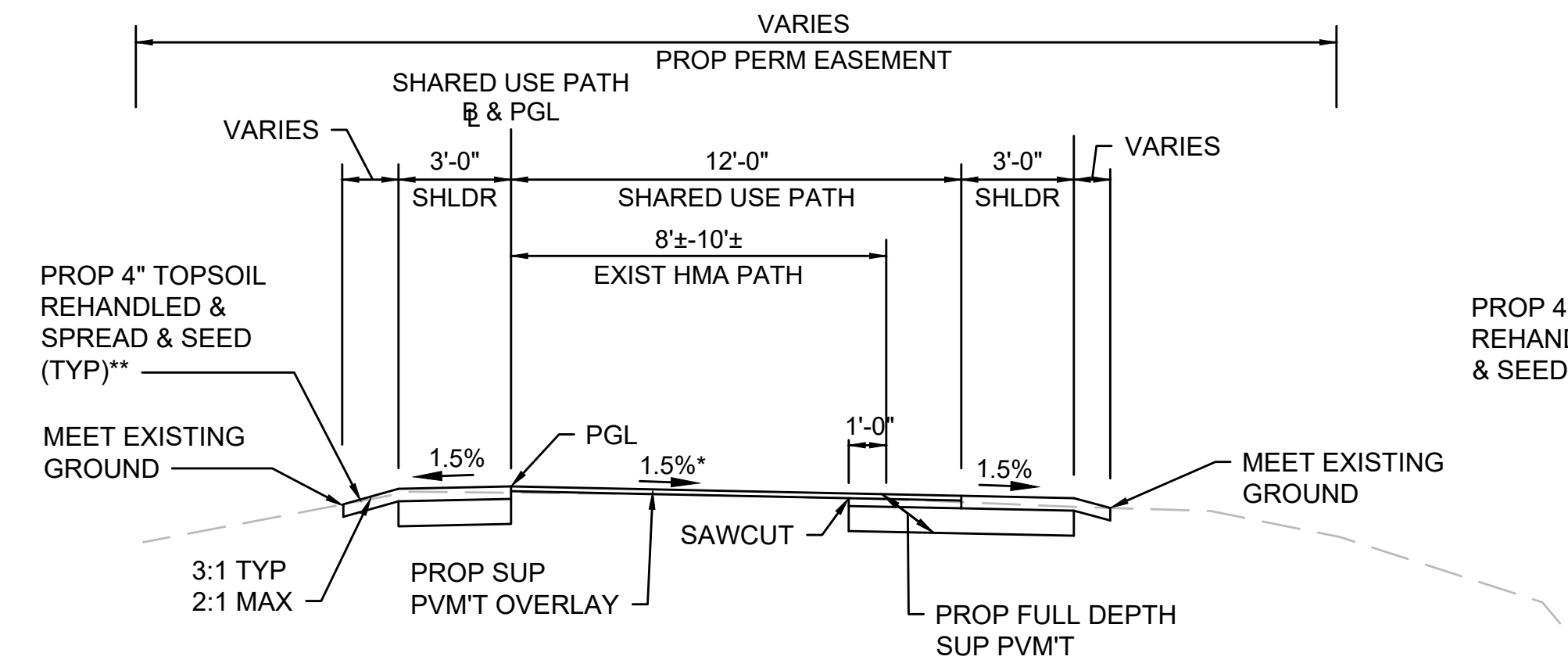
CCRT EXTENSION - WEST
STA 136+98± TO STA 139+48±
NTS



TYPICAL SHARED USE PATH SECTION

CCRT EXTENSION - WEST (HIGGINS CROWELL ROAD)
STA 140+91± TO STA 143+80±
NTS

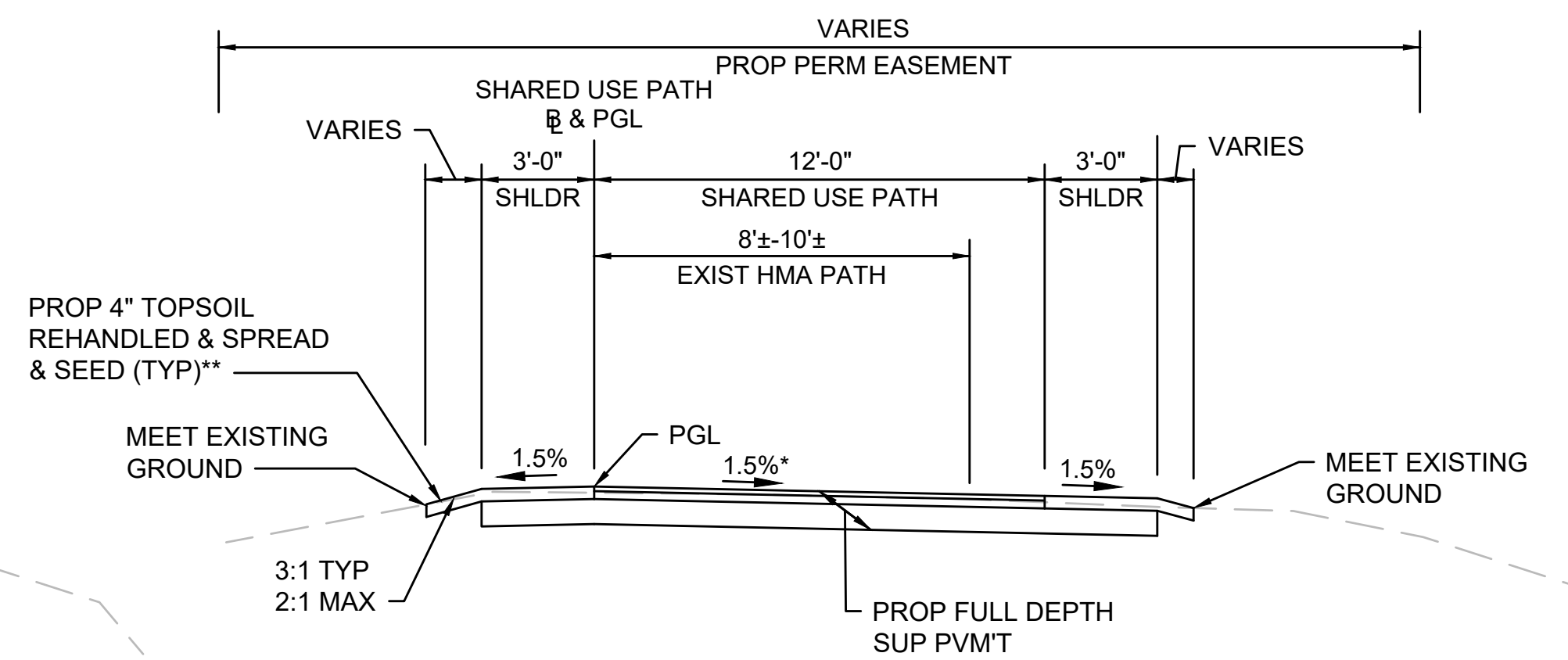
STATE	FED. AID PROJ. NO.	SHEET NO.	TOTAL SHEETS
MA	N/A	05	40
PROJECT FILE NO. 607398			



* 0.5% TOLERANCE FOR CONSTRUCTION
** WHERE SLOPES EXCEED 3:1 STRAW MULCH SHALL BE USED

TYPICAL SHARED USE PATH SECTION

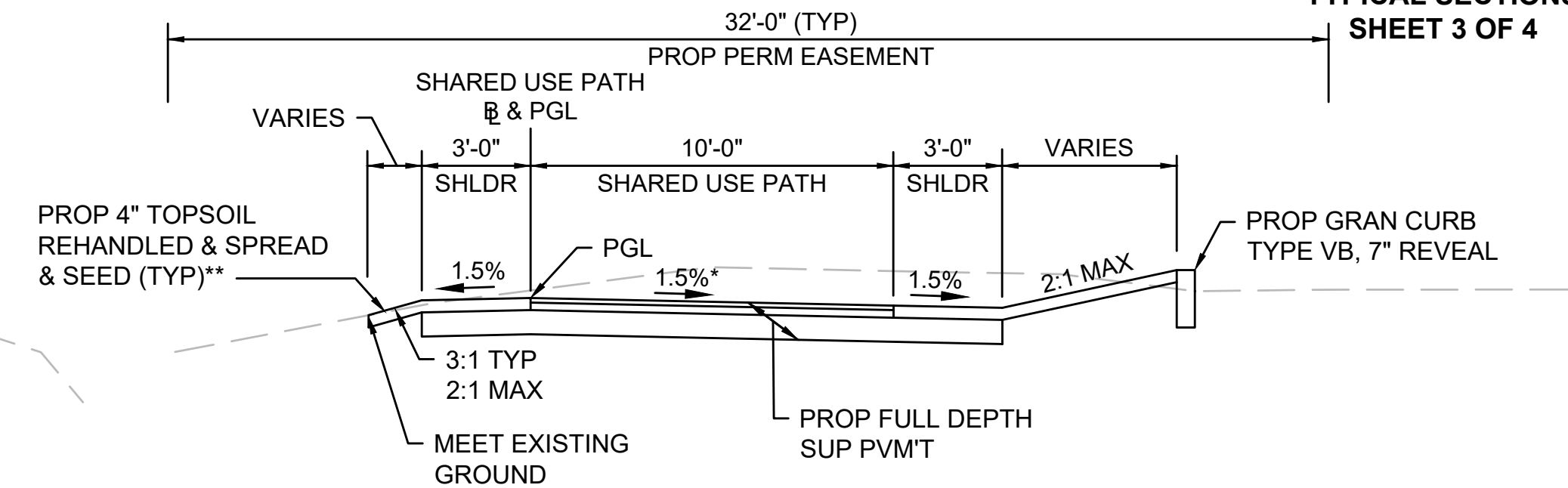
CCRT EXTENSION - EAST
STA 550+15± TO STA 560+51±, STA 565+61± TO STA 572+51±
STA 575+01± TO STA 588+52±
NTS



* 0.5% TOLERANCE FOR CONSTRUCTION
** WHERE SLOPES EXCEED 3:1 STRAW MULCH SHALL BE USED

TYPICAL SHARED USE PATH SECTION

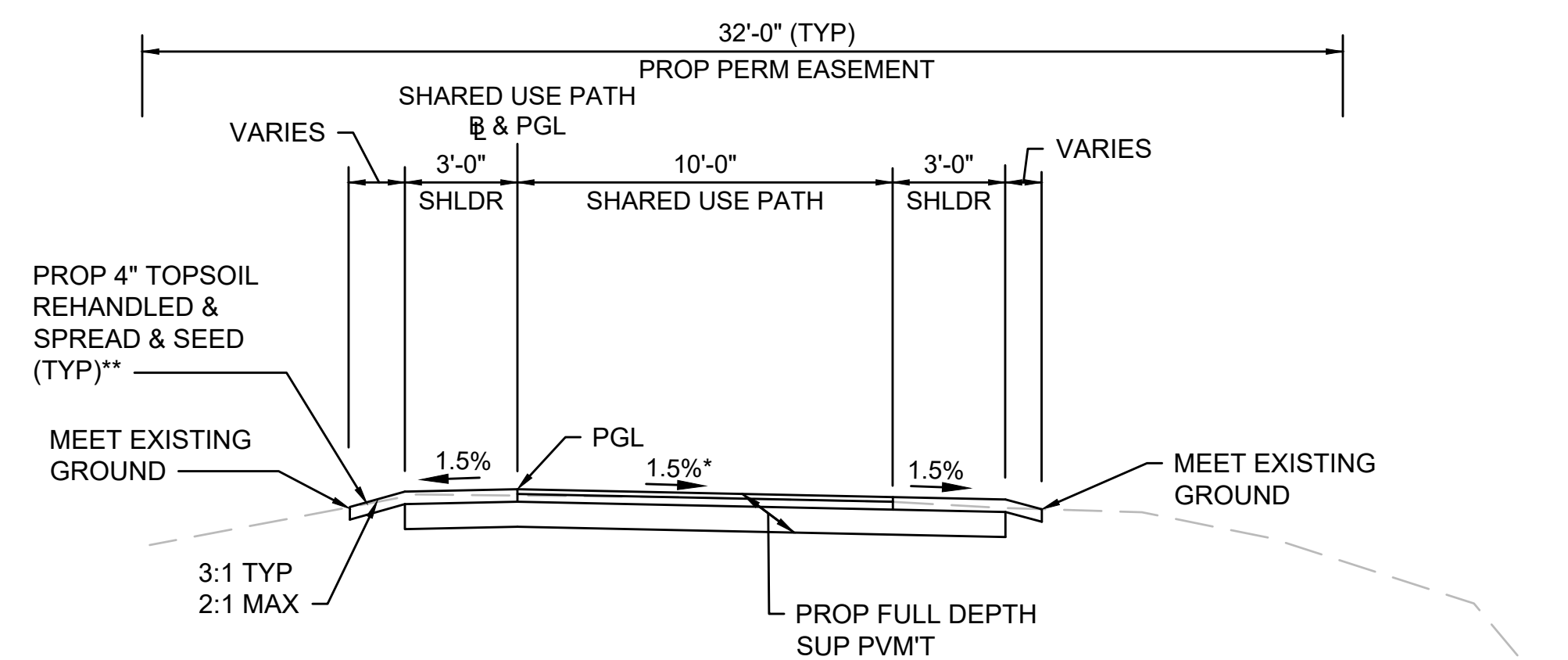
CCRT EXTENSION - EAST
STA 560+51± TO STA 565+61±, STA 572+51± TO STA 575+01±
STA 588+52± TO STA 590+31±, STA 591+60± TO STA 592+89±
NTS



* 0.5% TOLERANCE FOR CONSTRUCTION
** WHERE SLOPES EXCEED 3:1 STRAW MULCH SHALL BE USED

TYPICAL SHARED USE PATH SECTION

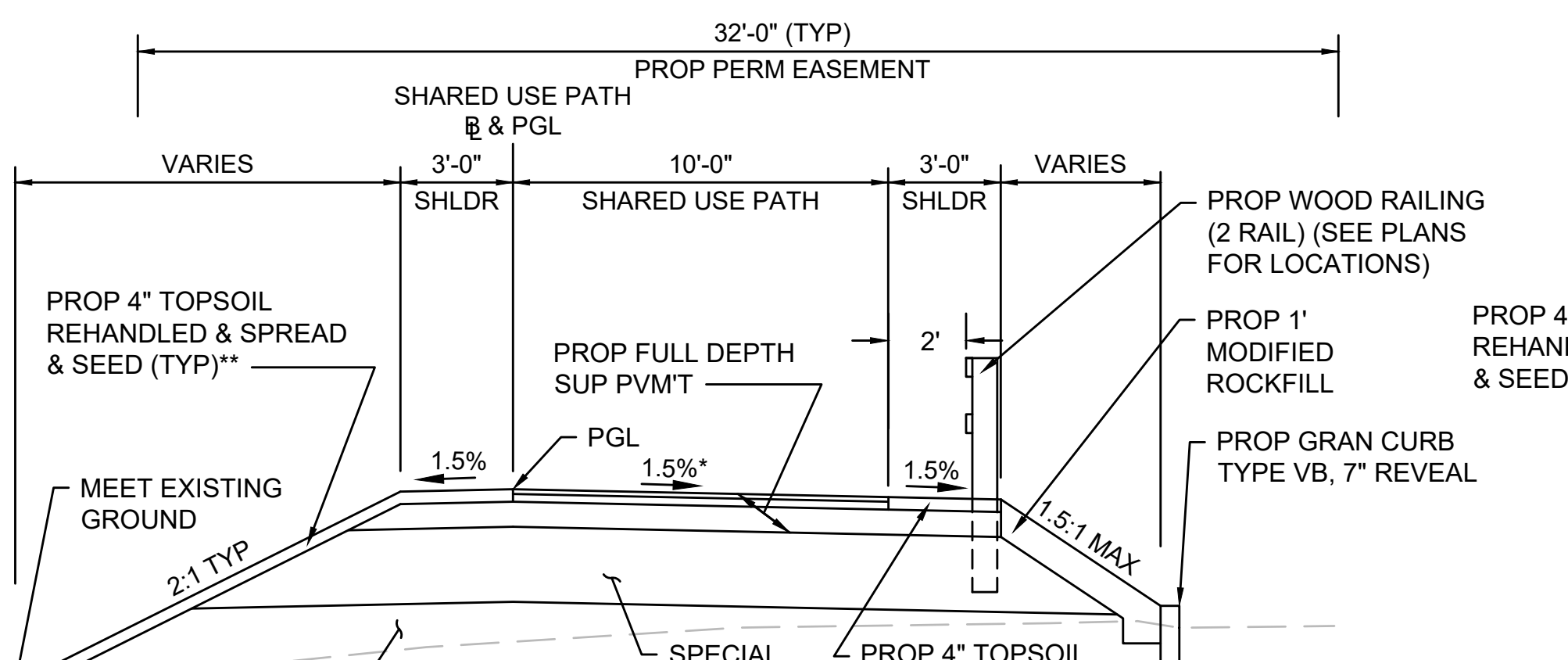
CCRT EXTENSION - EAST
STA 597+24± TO STA 598+90±, STA 599+90± TO STA 600+15±
NTS



* 0.5% TOLERANCE FOR CONSTRUCTION
** WHERE SLOPES EXCEED 3:1 STRAW MULCH SHALL BE USED

TYPICAL SHARED USE PATH SECTION

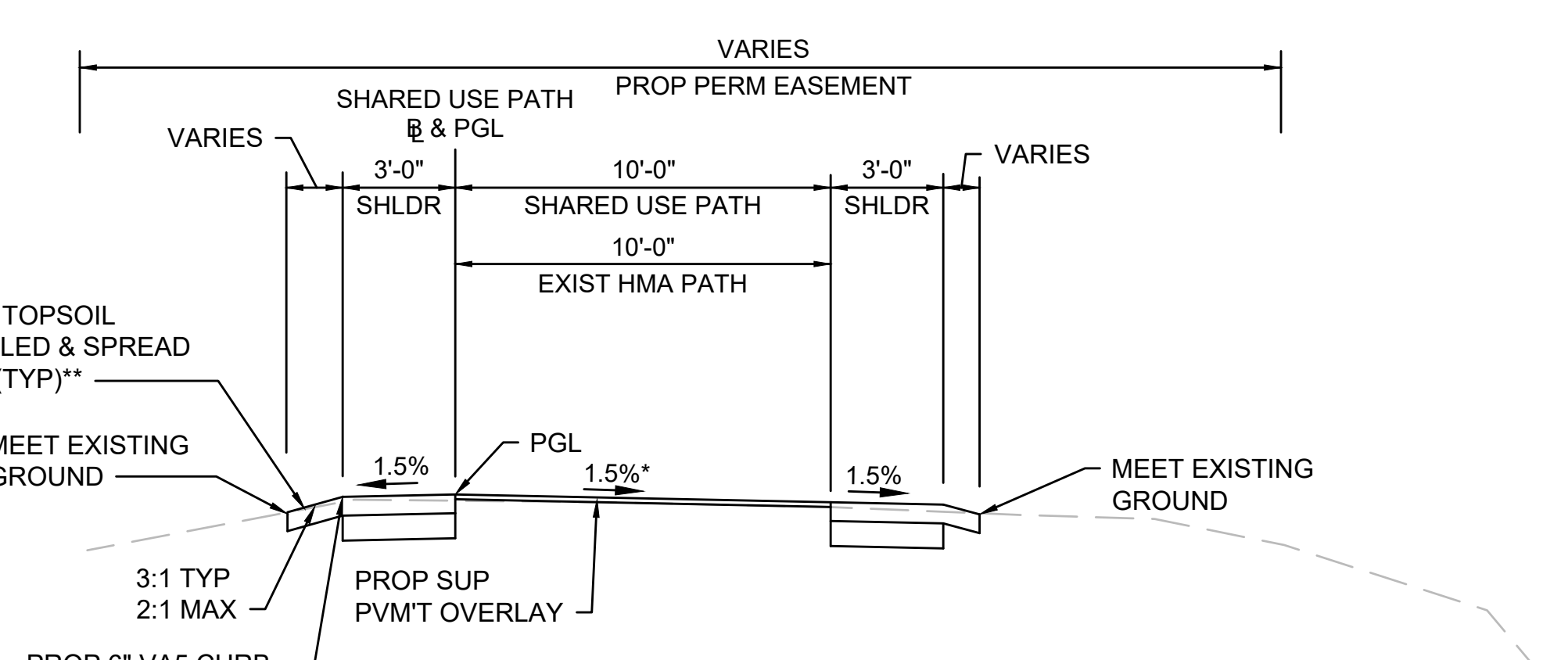
CCRT EXTENSION - EAST
STA 594+04± TO STA 597+24±, STA 600+15± TO STA 602+94±
STA 607+62± TO STA 615+60±
NTS



* 0.5% TOLERANCE FOR CONSTRUCTION
** WHERE SLOPES EXCEED 3:1 STRAW MULCH SHALL BE USED

TYPICAL SHARED USE PATH SECTION

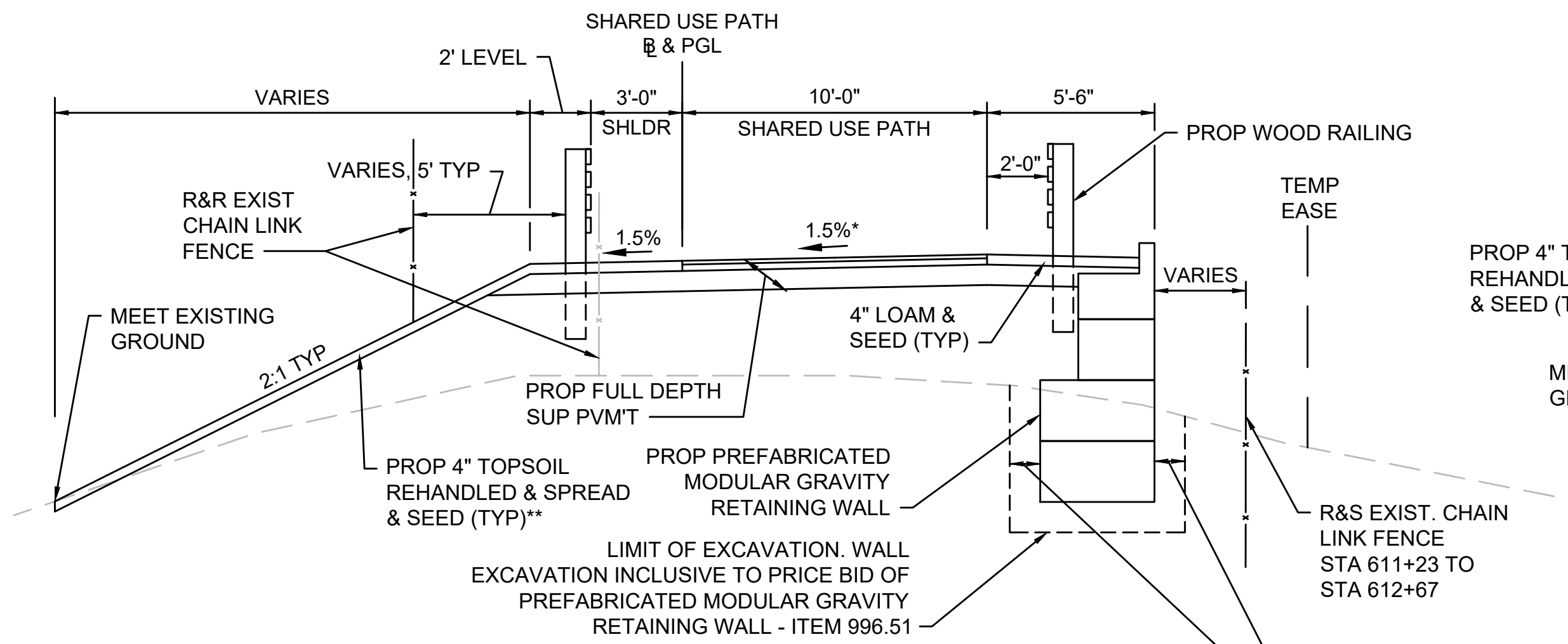
CCRT EXTENSION - EAST
STA 598+90± TO STA 599+90±
NTS



* 0.5% TOLERANCE FOR CONSTRUCTION
** WHERE SLOPES EXCEED 3:1 STRAW MULCH SHALL BE USED

TYPICAL SHARED USE PATH SECTION

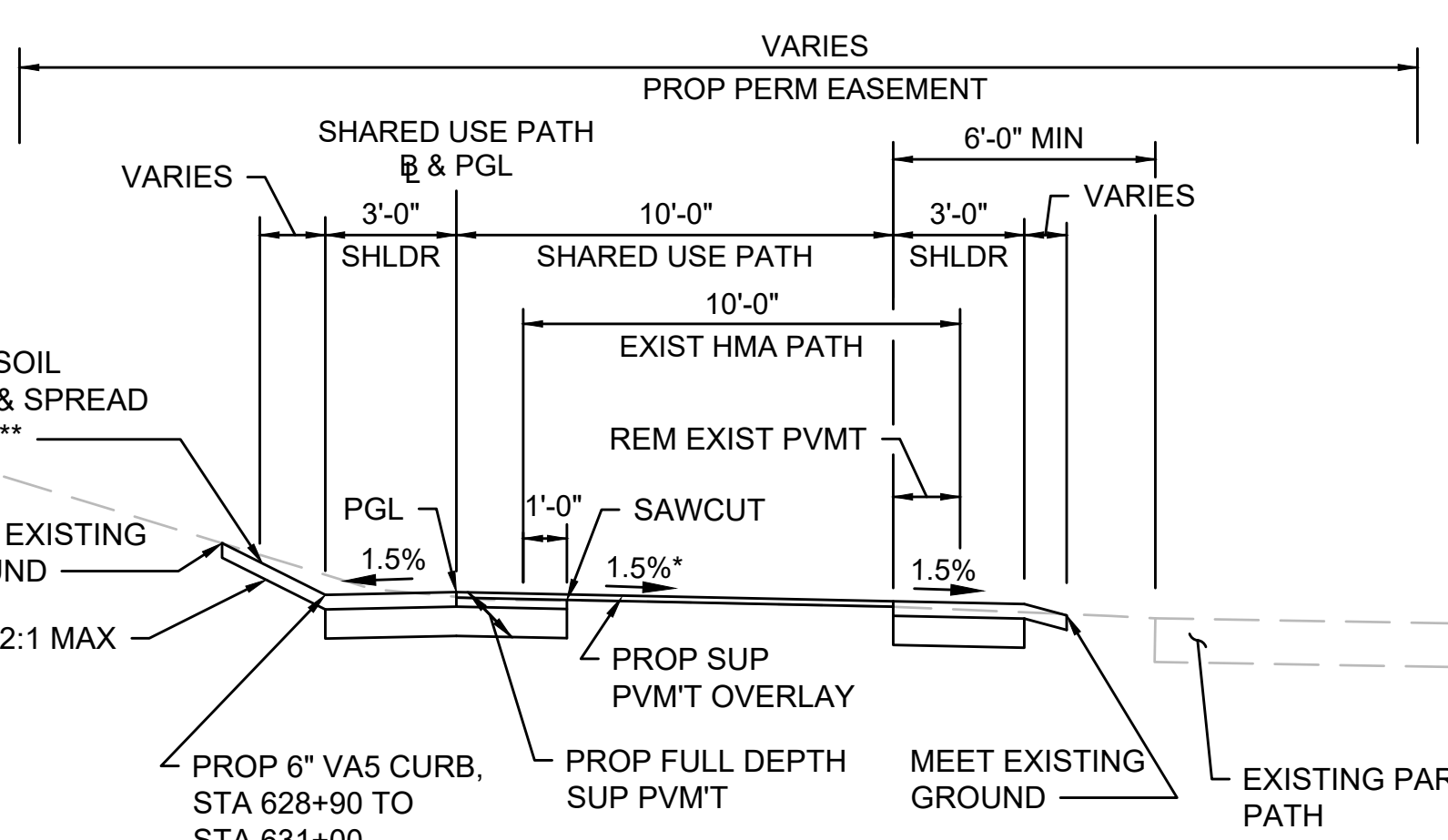
CCRT EXTENSION - EAST
STA 602+94± TO STA 607+62±, STA 615+60± TO STA 617+49±
STA 618+81± TO STA 628+90±
NTS



TYPICAL SHARED USE PATH SECTION

CCRT EXTENSION - EAST
STA 610+65± TO STA 613+52±
NTS

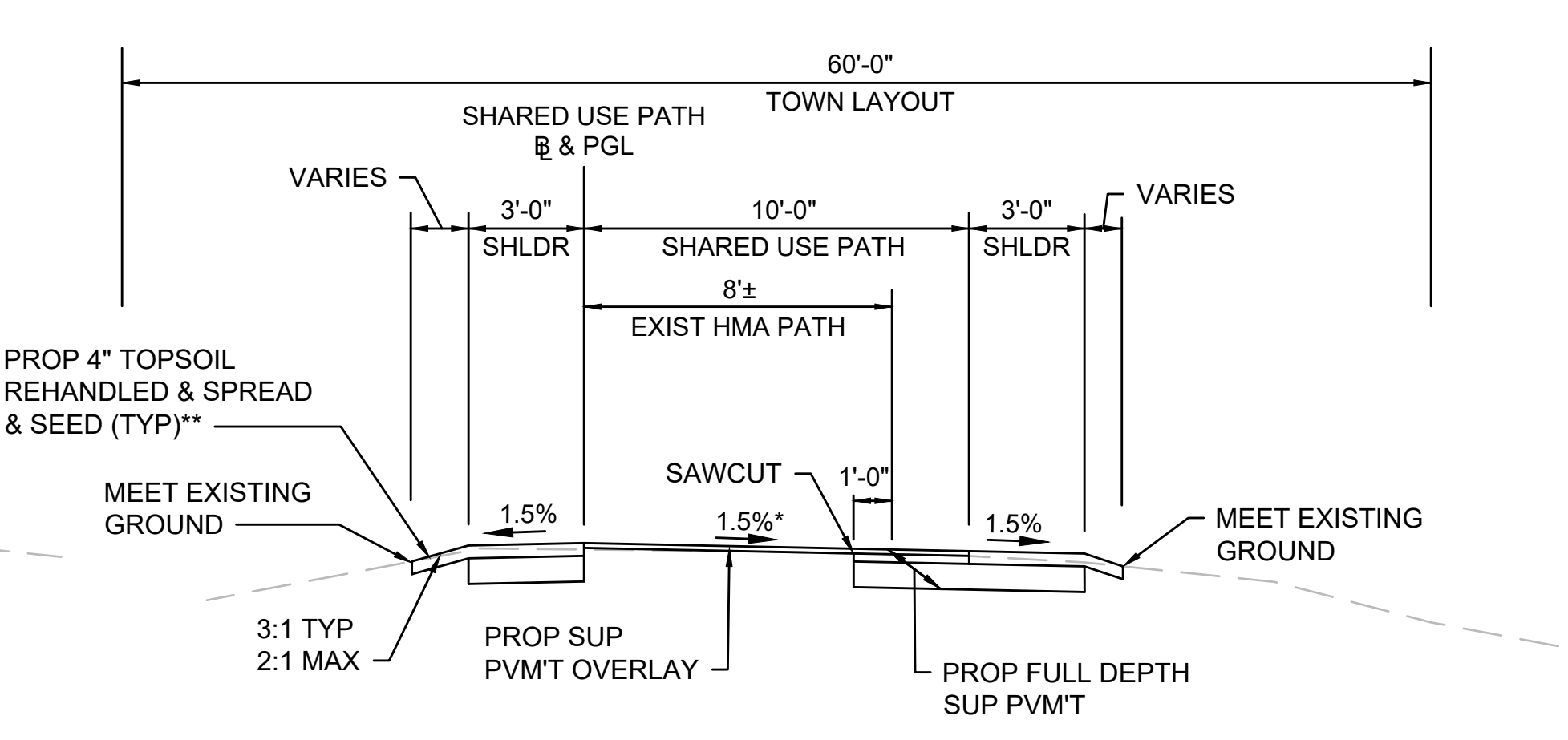
1' FROM EDGE OF WALL TO PAY LIMIT COVERED BY ITEM 996.51



* 0.5% TOLERANCE FOR CONSTRUCTION
** WHERE SLOPES EXCEED 3:1 STRAW MULCH SHALL BE USED

TYPICAL SHARED USE PATH SECTION

CCRT EXTENSION - EAST
STA 628+90± TO STA 631+81±
NTS



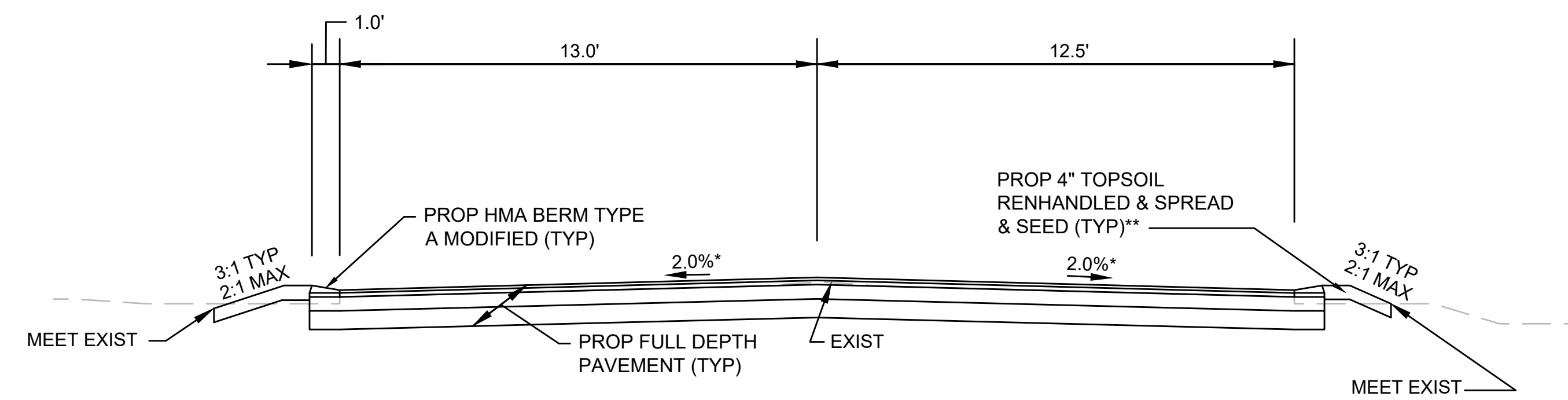
* 0.5% TOLERANCE FOR CONSTRUCTION
** WHERE SLOPES EXCEED 3:1 STRAW MULCH SHALL BE USED

TYPICAL SHARED USE PATH SECTION

HIGGINS CROWELL ROAD SPUR
STA 800+80± TO STA 820+82±
NTS

STATE	FED. AID PROJ. NO.	SHEET NO.	TOTAL SHEETS
MA	N/A	06	40

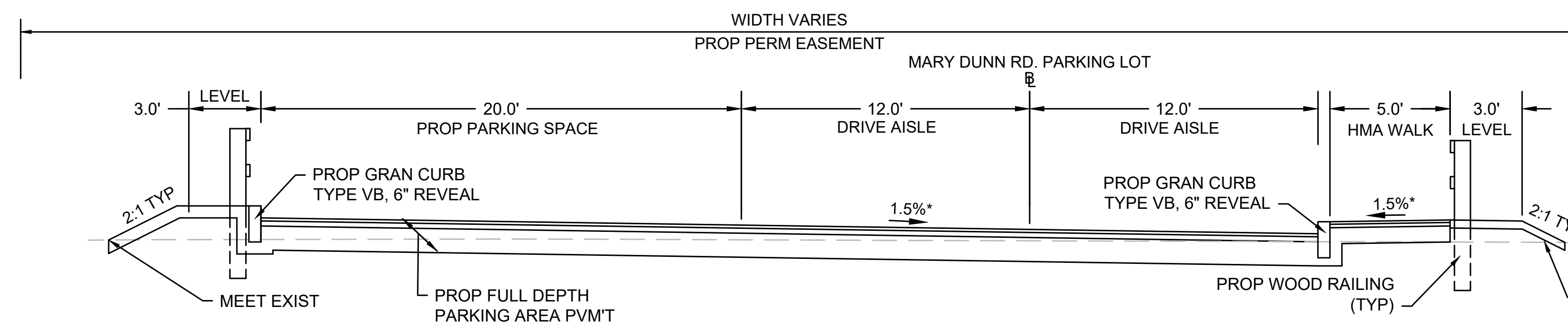
PROJECT FILE NO. 607398



TYPICAL SPEED TABLE SECTION

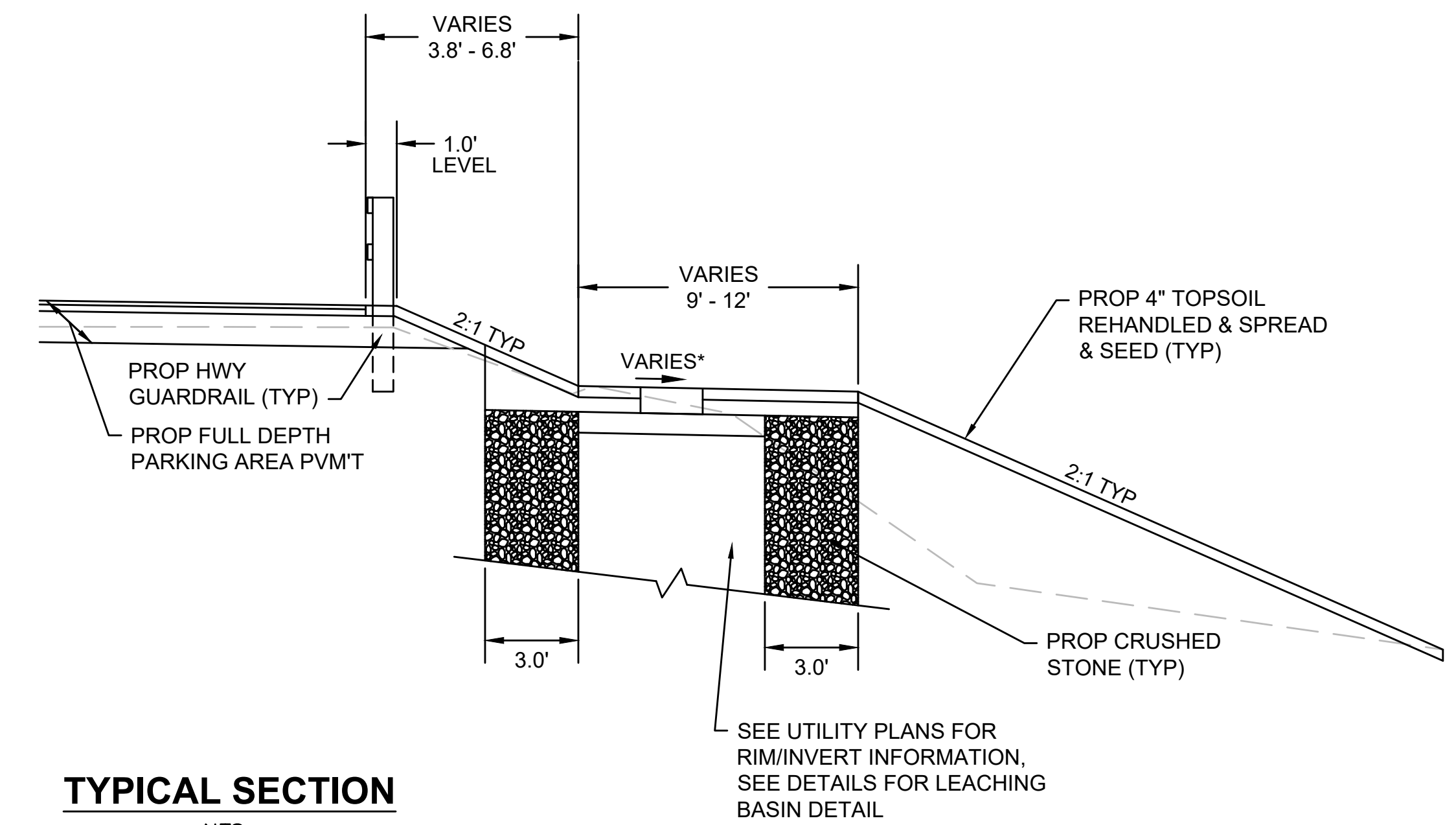
FOREST ROAD EXTENSION
NTS

* 0.5% TOLERANCE FOR CONSTRUCTION
** WHERE SLOPES EXCEED 3:1 STRAW MULCH SHALL BE USED



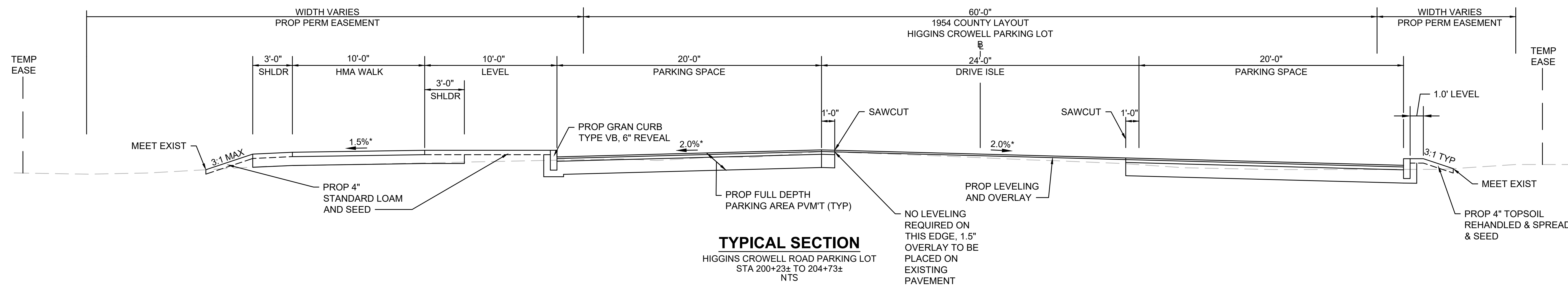
TYPICAL SECTION

MARY DUNN RD. PARKING LOT
NTS



TYPICAL SECTION

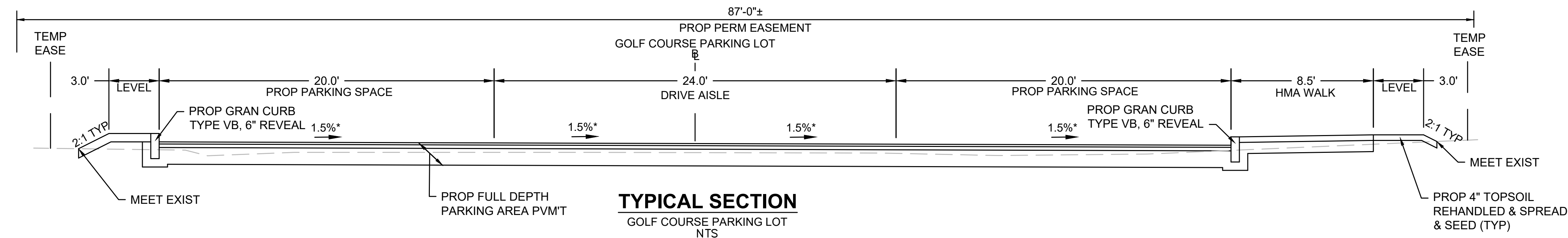
NTS
MARY DUNN RD. PARKING LOT @ LEACHING BASINS



TYPICAL SECTION

HIGGINS CROWELL ROAD PARKING LOT
STA 200+23± TO 204+73±
NTS

NO LEVELING
REQUIRED ON
THIS EDGE, 1.5"
OVERLAY TO BE
PLACED ON
EXISTING
PAVEMENT

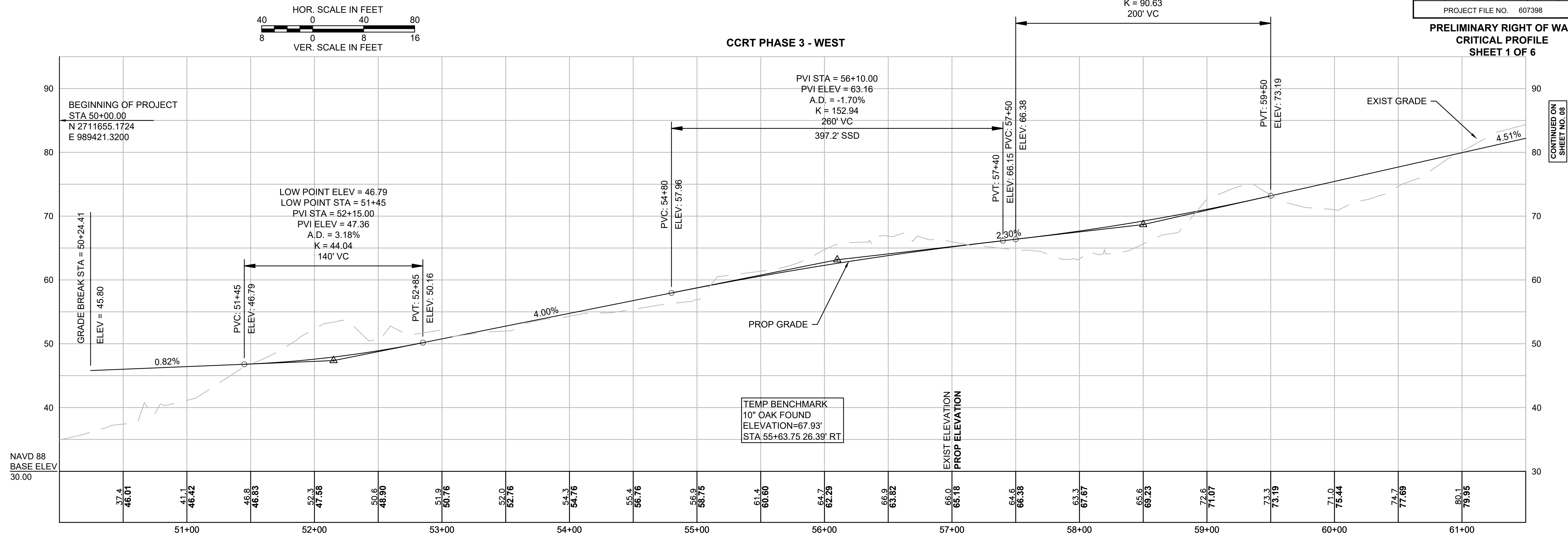


TYPICAL SECTION

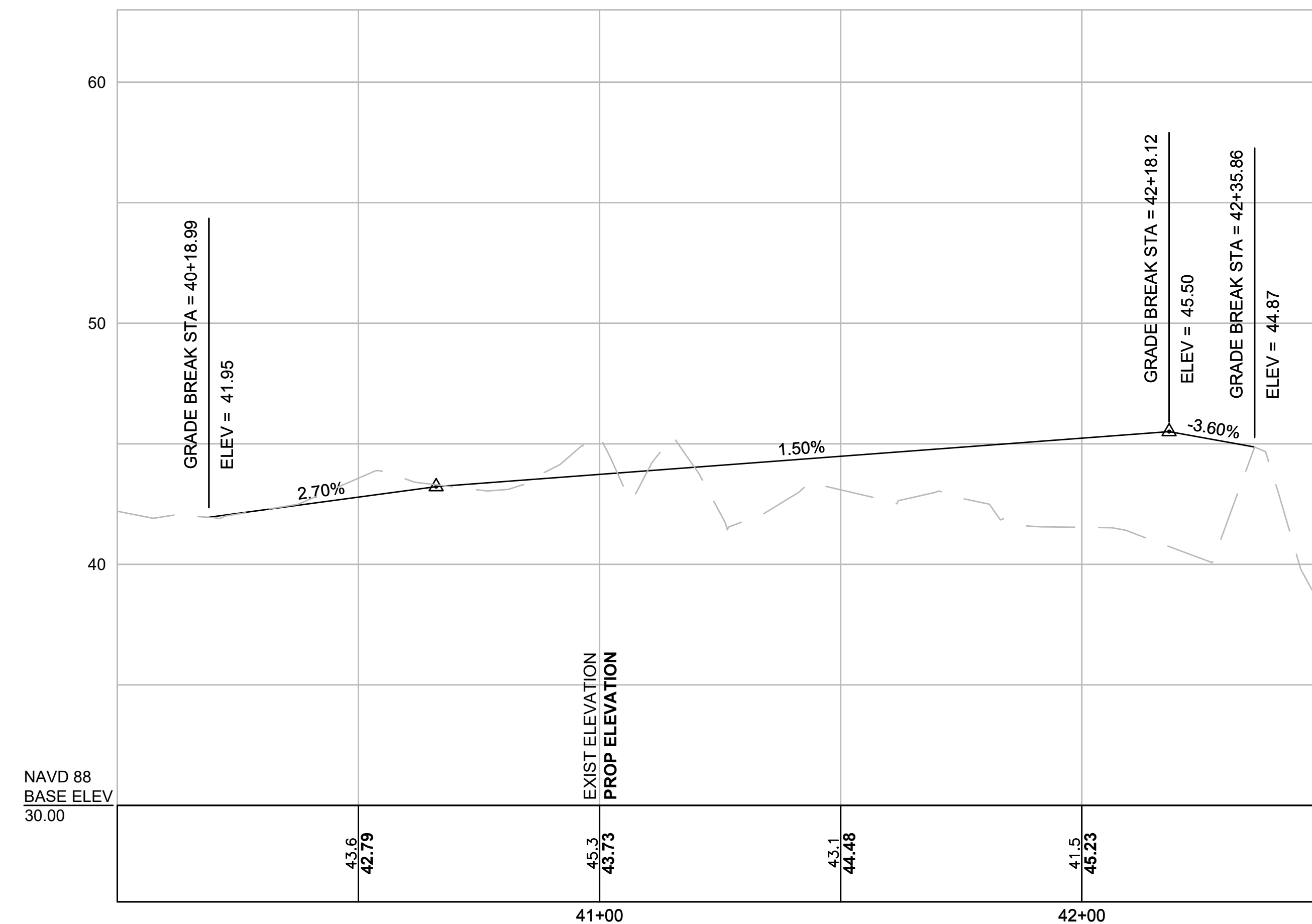
GOLF COURSE PARKING LOT
NTS

STATE	FED. AID PROJ. NO.	SHEET NO.	TOTAL SHEETS
MA	N/A	07	40

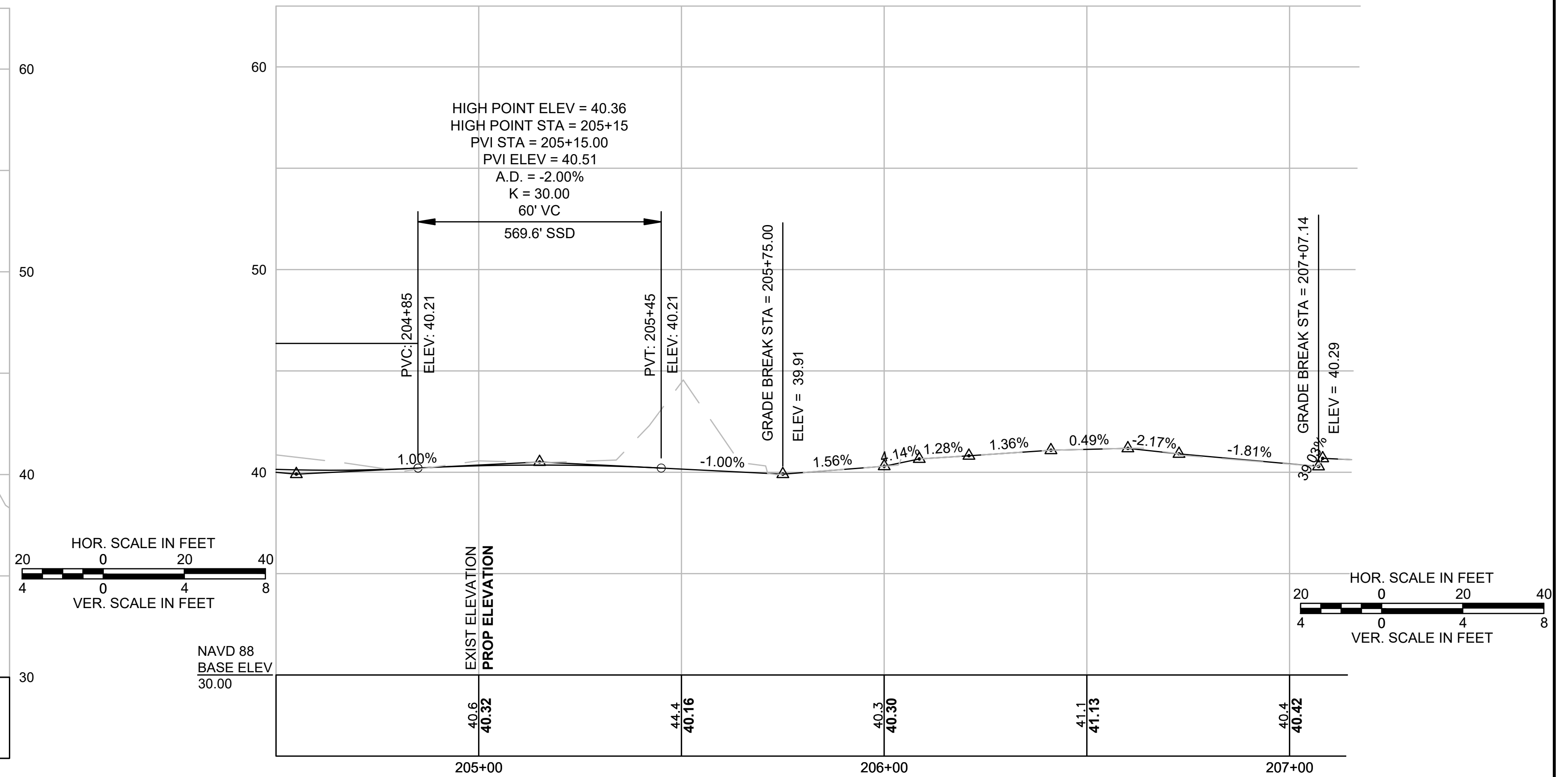
PROJECT FILE NO. 607398



PARKING LOT NO. 1 - MARY DUNN ROAD



PARKING LOT NO. 2 - HIGGINS CROWELL ROAD



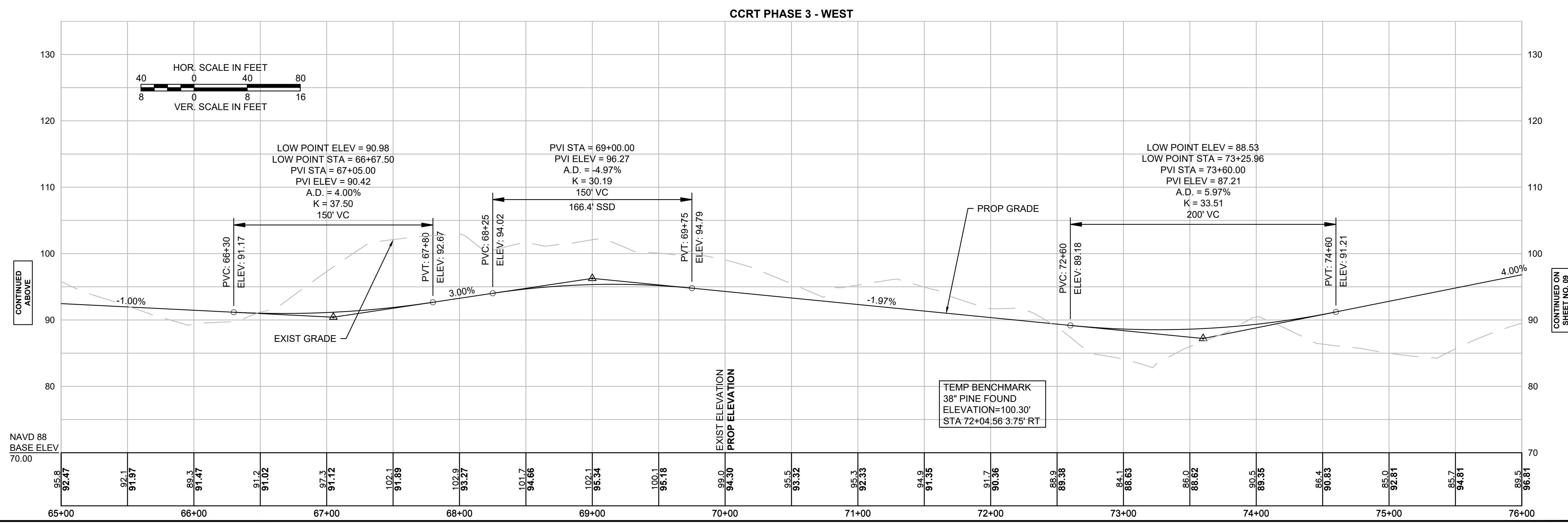
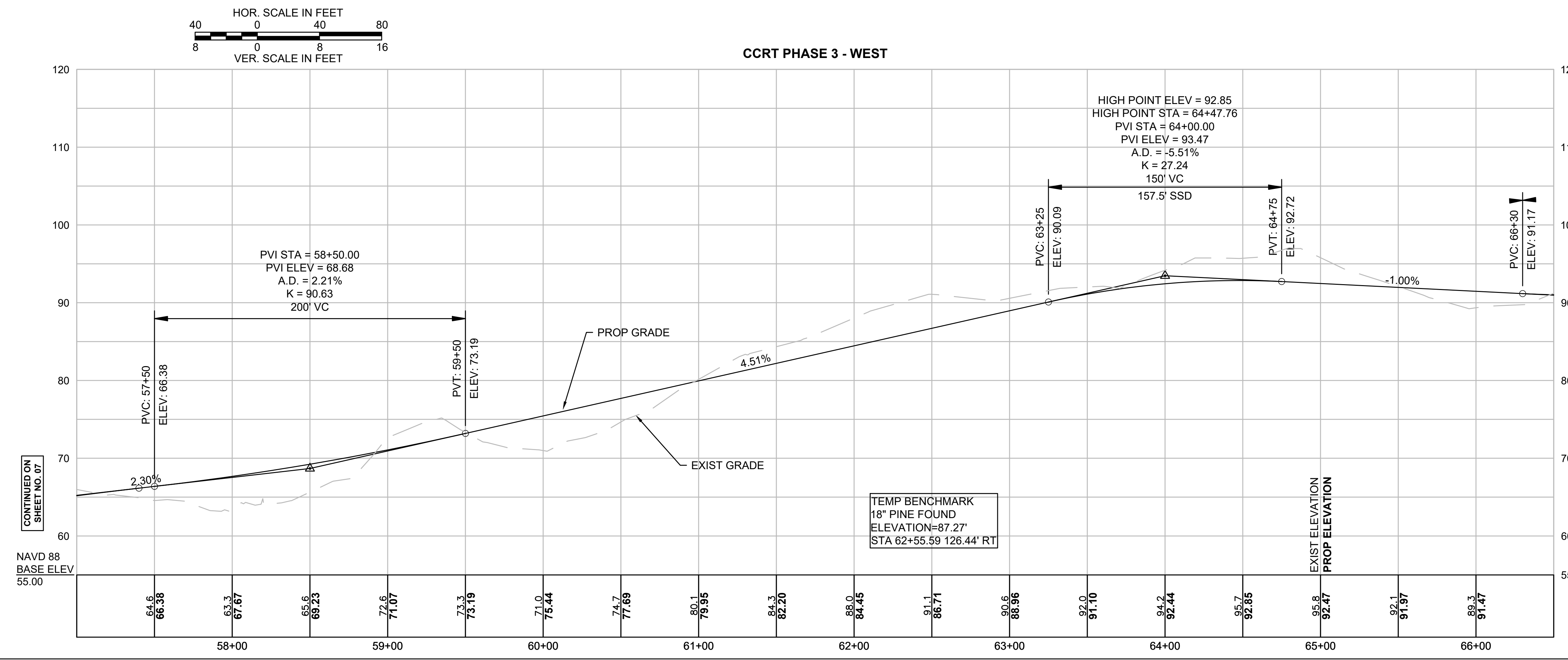
CONTINUED ON
SHEET NO. 08

**BARNSTABLE / YARMOUTH
CAPE COD RAIL TRAIL EXT. - PHASE 3**

STATE	FED. AID PROJ. NO.	SHEET NO.	TOTAL SHEETS
MA	N/A	08	40

PROJECT FILE NO. 607398

**PRELIMINARY RIGHT OF WAY
CRITICAL PROFILE
SHEET 2 OF 6**

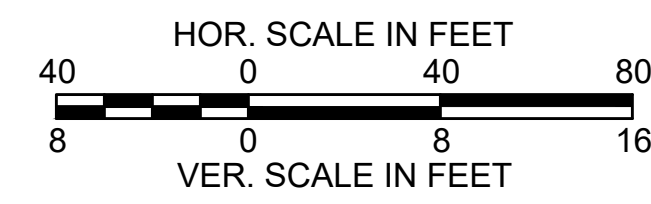


**BARNSTABLE / YARMOUTH
CAPE COD RAIL TRAIL EXT. - PHASE 3**

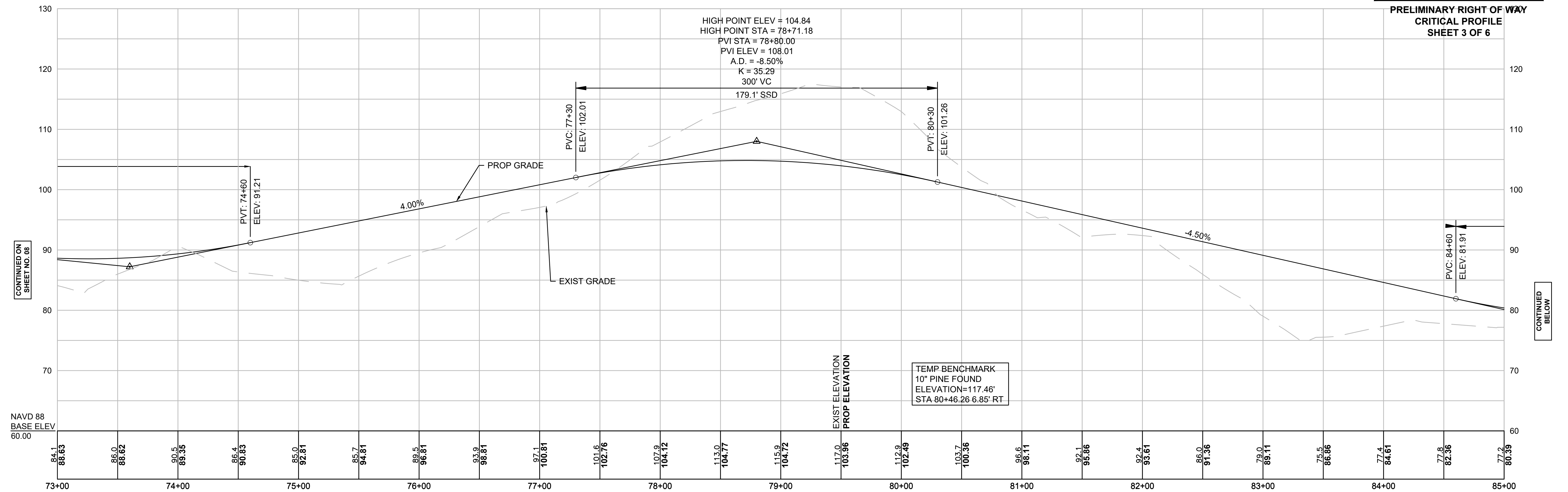
STATE	FED. AID PROJ. NO.	SHEET NO.	TOTAL SHEETS
MA	N/A	09	40

PROJECT FILE NO. 607398

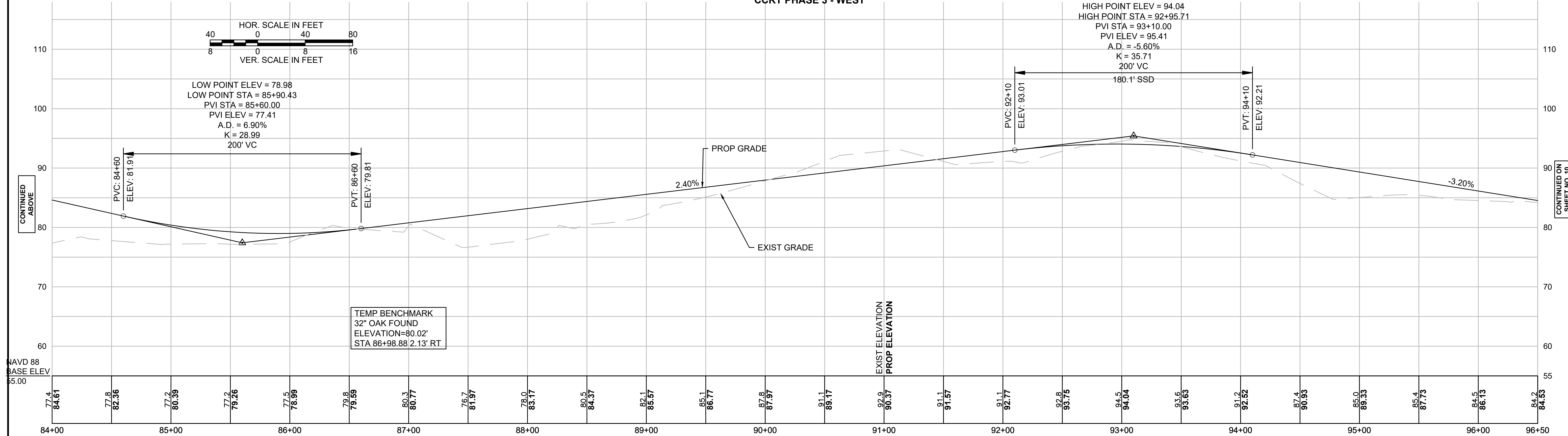
**PRELIMINARY RIGHT OF WAY
CRITICAL PROFILE
SHEET 3 OF 6**



CCRT PHASE 3 - WEST



CCRT PHASE 3 - WEST



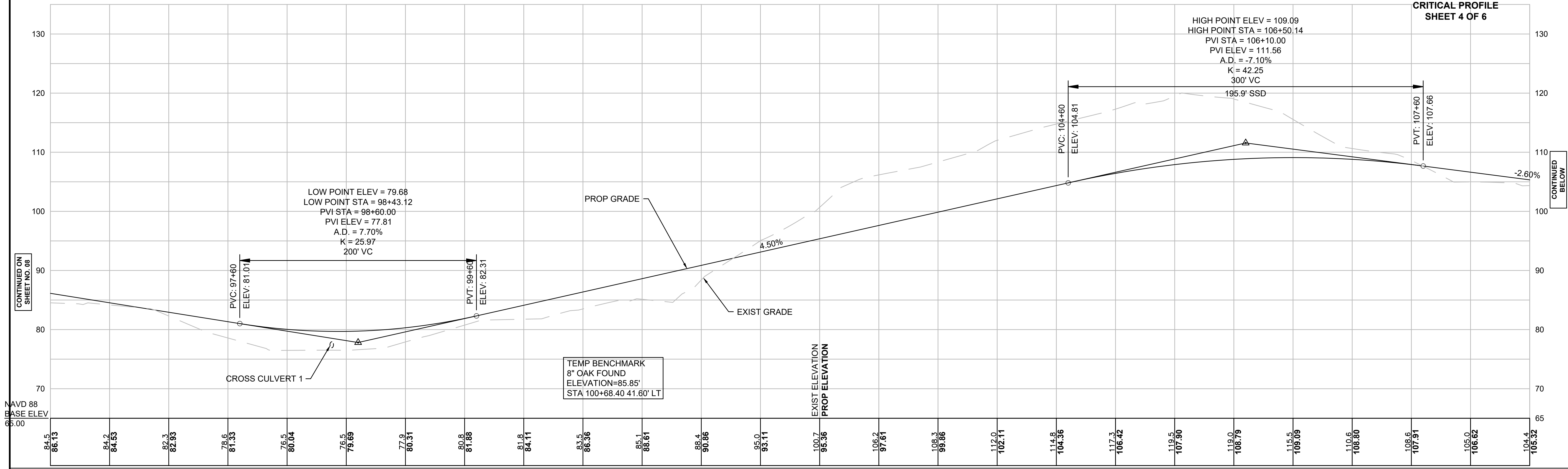
**BARNSTABLE / YARMOUTH
CAPE COD RAIL TRAIL EXT. - PHASE 3**

STATE	FED. AID PROJ. NO.	SHEET NO.	TOTAL SHEETS
MA	N/A	10	40

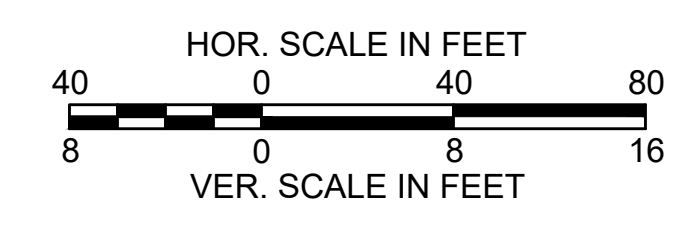
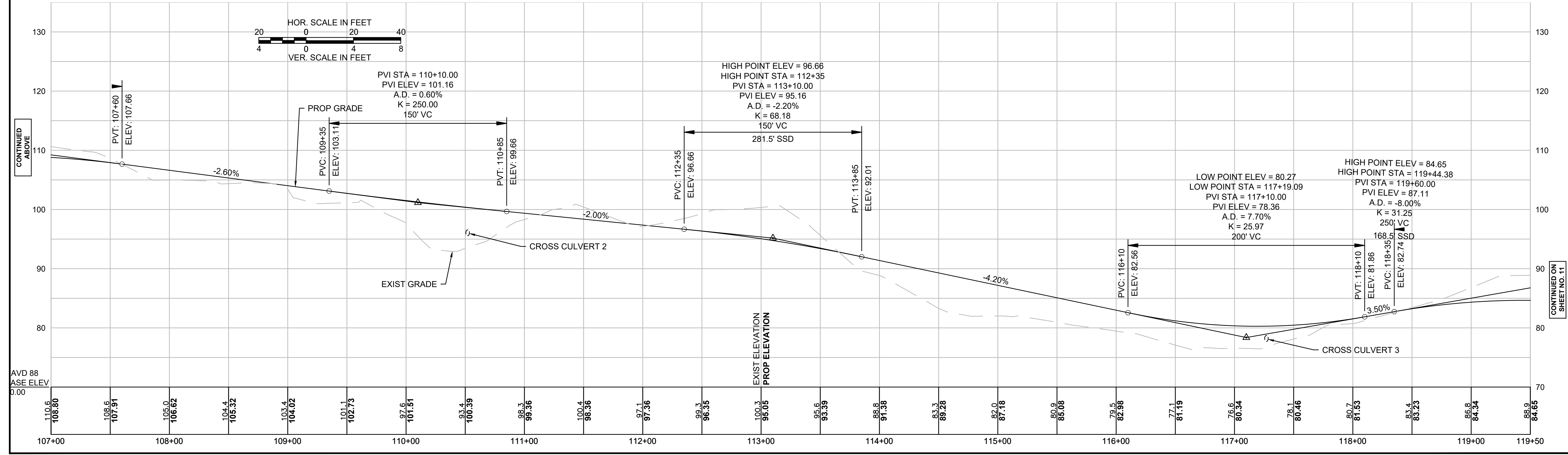
PROJECT FILE NO. 607398

**PRELIMINARY RIGHT OF WAY
CRITICAL PROFILE
SHEET 4 OF 6**

CCRT PHASE 3 - WEST



CCRT PHASE 3 - WEST



CONTINUED ON
SHEET NO. 08

CONTINUED
BELOW

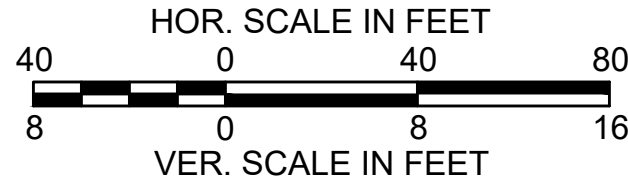
CONTINUED
ABOVE

CONTINUED ON
SHEET NO. 11

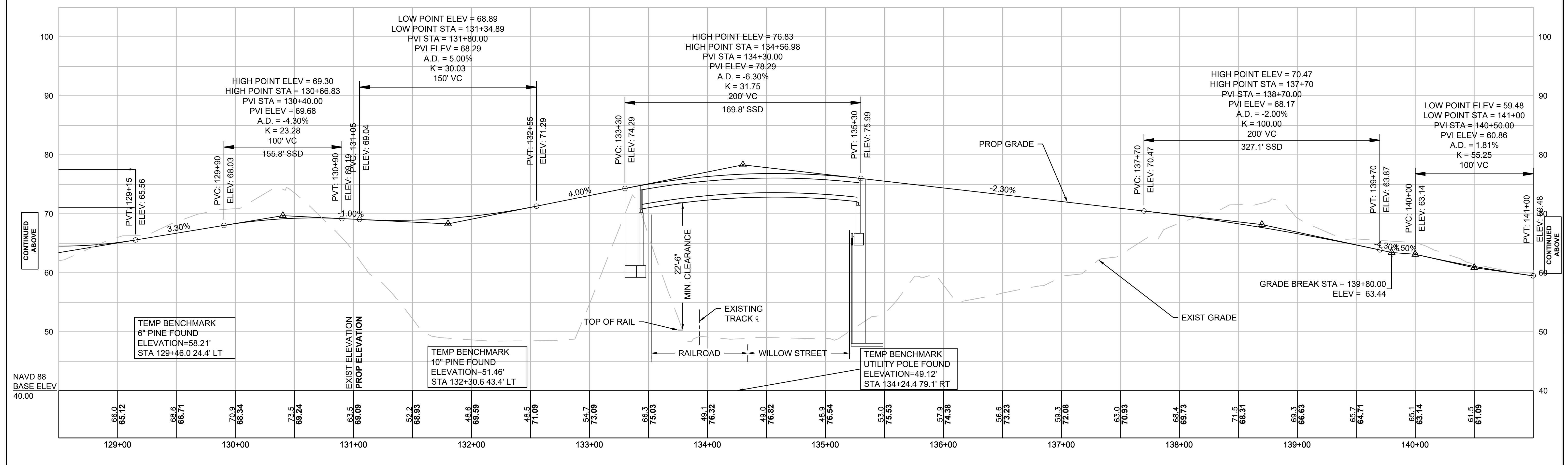
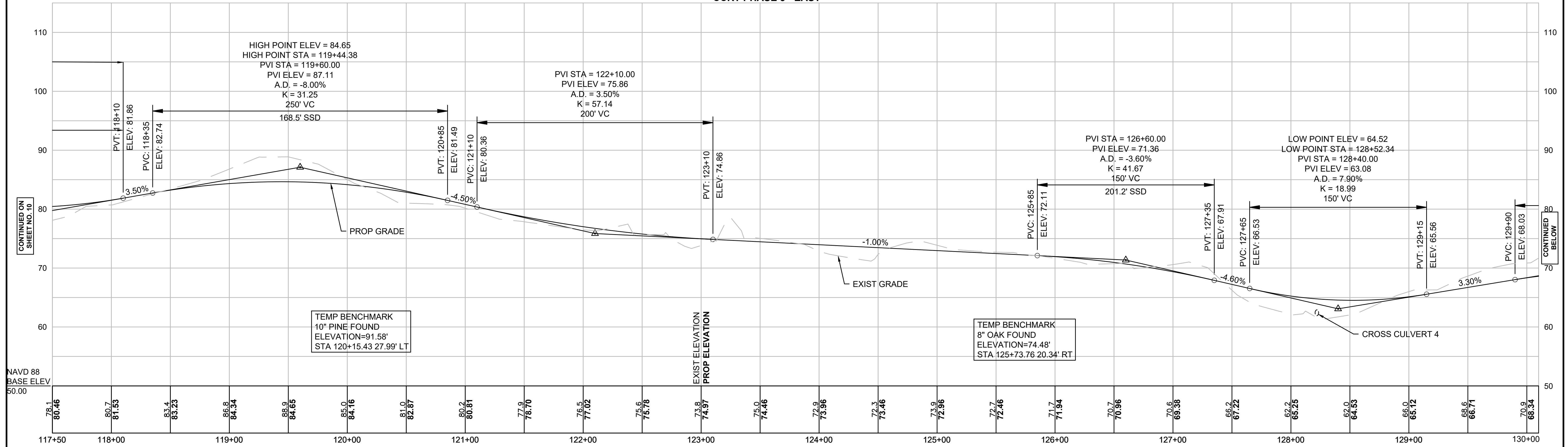
**BARNSTABLE / YARMOUTH
CAPE COD RAIL TRAIL EXT. - PHASE 3**

STATE	FED. AID PROJ. NO.	SHEET NO.	TOTAL SHEETS
MA	N/A	11	40
PROJECT FILE NO. 607398			

**PRELIMINARY RIGHT OF WAY
CRITICAL PROFILE
SHEET 5 OF 6**



CCRT PHASE 3 - EAST

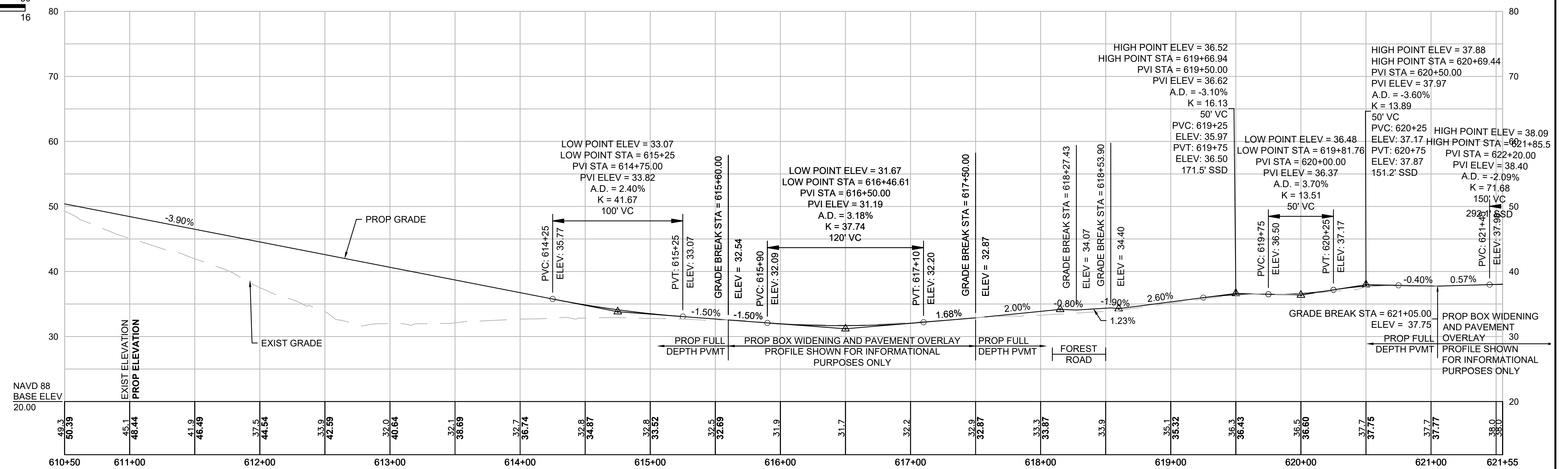
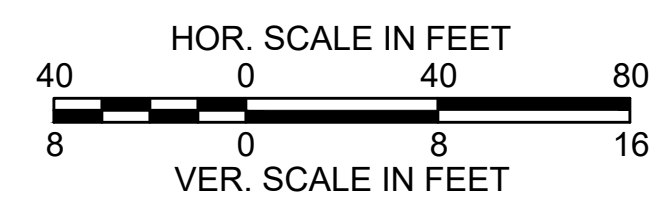
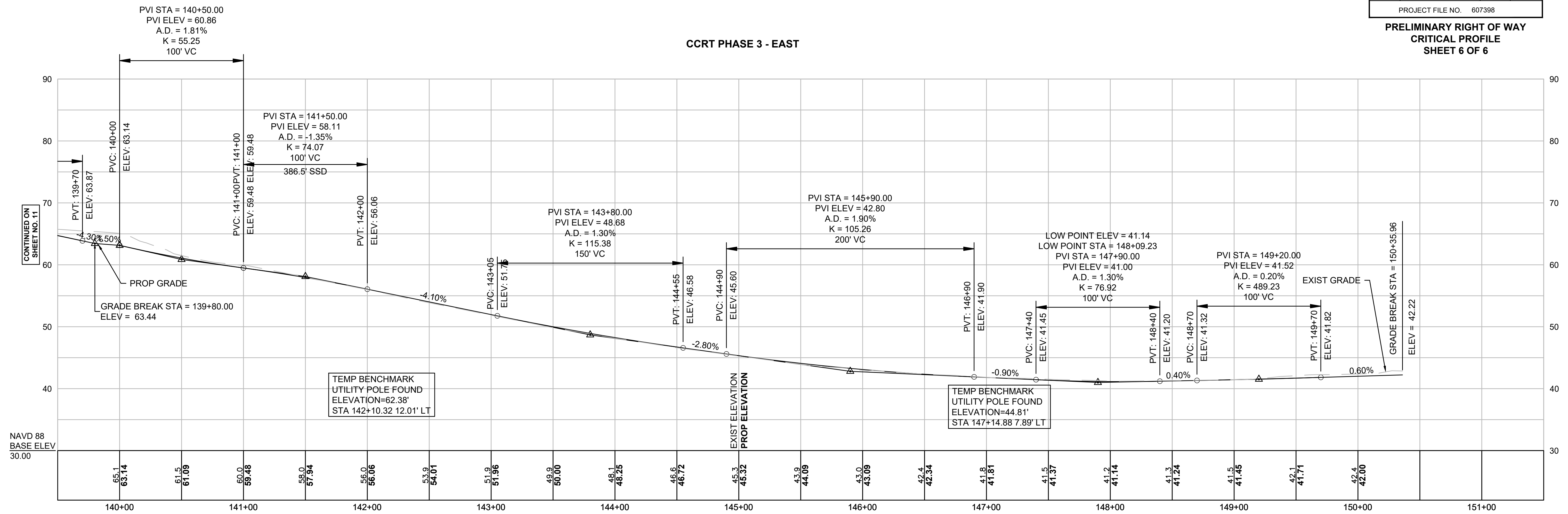


**BARNSTABLE / YARMOUTH
CAPE COD RAIL TRAIL EXT. - PHASE 3**

STATE	FED. AID PROJ. NO.	SHEET NO.	TOTAL SHEETS
MA	N/A	12	40
PROJECT FILE NO. 607398			

**PRELIMINARY RIGHT OF WAY
CRITICAL PROFILE
SHEET 6 OF 6**

CCRT PHASE 3 - EAST



STATE	FED. AID PROJ. NO.	SHEET NO.	TOTAL SHEETS
MASS.	N/A	13	40
PROJECT FILE NO. 607398			

PRELIMINARY RIGHT OF WAY
PARCEL SUMMARY
SHEET - 1 OF 6

PROJECT TOTALS			
AFFECTED PROPERTIES	FEE TAKINGS	PERMANENT EASEMENTS	TEMPORARY EASEMENTS
22	0	38	56

BARNSTABLE TOTALS			
AFFECTED PROPERTIES	FEE TAKINGS	PERMANENT EASEMENTS	TEMPORARY EASEMENTS
2	0	12	6

TOWN OF BARNSTABLE

PARCEL NO.	PLAN SHEET NO.	TITLEHOLDER	TITLE REFERENCE				AREA (S.F. +/-)						TOTAL PROPERTY AREA (S.F.)	FRONTAGE ON ROW PLAN (FT.)	PROPERTY ADDRESS	REMARKS	LAND RESTRICTION FROM DEED
			DEED BOOK	PAGE NO.	LCC NO.	CERT NO.	TAKEN		EASEMENT		TOTAL TAKEN	REMAINING					
							TOWN	STATE	TYPE	AREA							
BPE-1	19, 22-24	COMMONWEALTH OF MASSACHUSETTS, DIVISION OF FISH & WILDLIFE	9261	012									14,547,628	6,984	0 MARY DUNN ROAD	PERMANENT BIKE PATH EASEMENT	ARTICLE 97
BPE-3	19, 25-26	COMMONWEALTH OF MASSACHUSETTS, DIVISION OF FISH & WILDLIFE	9261	012									80,379			PERMANENT BIKE PATH EASEMENT	ARTICLE 97
D-1	19, 25	COMMONWEALTH OF MASSACHUSETTS, DIVISION OF FISH & WILDLIFE	9261	012									461			SLOPE GRADING (MAX 2:1), CLEARING & TREE REMOVAL, AND DRAINAGE	
D-2	19, 25	COMMONWEALTH OF MASSACHUSETTS, DIVISION OF FISH & WILDLIFE	9261	012									345			SLOPE GRADING (MAX 2:1), CLEARING & TREE REMOVAL, AND DRAINAGE	
D-3	19, 25	COMMONWEALTH OF MASSACHUSETTS, DIVISION OF FISH & WILDLIFE	9261	012									459			SLOPE GRADING (MAX 2:1), CLEARING & TREE REMOVAL, AND DRAINAGE	
D-4	19, 25	COMMONWEALTH OF MASSACHUSETTS, DIVISION OF FISH & WILDLIFE	9261	012									826			SLOPE GRADING (MAX 2:1), CLEARING & TREE REMOVAL, AND DRAINAGE	
D-5	19, 25-26	COMMONWEALTH OF MASSACHUSETTS, DIVISION OF FISH & WILDLIFE	9261	012									609			SLOPE GRADING (MAX 2:1), CLEARING & TREE REMOVAL, AND DRAINAGE	
D-6	19, 25-26	COMMONWEALTH OF MASSACHUSETTS, DIVISION OF FISH & WILDLIFE	9261	012									315			SLOPE GRADING (MAX 2:1), CLEARING & TREE REMOVAL, AND DRAINAGE	
SL-1	19, 23-24	COMMONWEALTH OF MASSACHUSETTS, DIVISION OF FISH & WILDLIFE	9261	012									7,283			SLOPE GRADING (MAX 2:1), CLEARING & TREE REMOVAL, AND DRAINAGE DITCH	
SL-2	19, 24	COMMONWEALTH OF MASSACHUSETTS, DIVISION OF FISH & WILDLIFE	9261	012									3,930			SLOPE GRADING (MAX 2:1), CLEARING & TREE REMOVAL, AND DRAINAGE DITCH	
SL-3	19, 25	COMMONWEALTH OF MASSACHUSETTS, DIVISION OF FISH & WILDLIFE	9261	012									886			SLOPE GRADING (MAX 2:1), CLEARING & TREE REMOVAL, AND DRAINAGE DITCH	
TE-1	22-24	COMMONWEALTH OF MASSACHUSETTS, DIVISION OF FISH & WILDLIFE	9261	012									88,386			SLOPE GRADING (MAX 2:1) AND CLEARING & TREE REMOVAL	
TE-2	23-24	COMMONWEALTH OF MASSACHUSETTS, DIVISION OF FISH & WILDLIFE	9261	012									60,945			SLOPE GRADING (MAX 2:1) AND CLEARING & TREE REMOVAL	
TE-5	25-26	COMMONWEALTH OF MASSACHUSETTS, DIVISION OF FISH & WILDLIFE	9261	012									53,145			SLOPE GRADING (MAX 2:1), CLEARING & TREE REMOVAL, AND DRAINAGE	
TE-6	25-26	COMMONWEALTH OF MASSACHUSETTS, DIVISION OF FISH & WILDLIFE	9261	012									46,690			SLOPE GRADING (MAX 2:1), CLEARING & TREE REMOVAL, AND DRAINAGE	
BPE-2	19, 24-25	TOWN OF BARNSTABLE, TOWN MANAGER	26130	73									52,272	266	0 MID CAPE HIGHWAY (WEST) RTE 6	PERMANENT BIKE PATH EASEMENT	
TE-3	24-25	TOWN OF BARNSTABLE, TOWN MANAGER	26130	73									6,445			SLOPE GRADING (MAX 2:1) AND CLEARING & TREE REMOVAL	
TE-4	24-25	TOWN OF BARNSTABLE, TOWN MANAGER	26130	73									3,243			SLOPE GRADING (MAX 2:1) AND CLEARING & TREE REMOVAL	

PROJECT TOTALS			
AFFECTED PROPERTIES	FEE TAKINGS	PERMANENT EASEMENTS	TEMPORARY EASEMENTS
22	0	38	56

YARMOUTH TOTALS			
AFFECTED PROPERTIES	FEE TAKINGS	PERMANENT EASEMENTS	TEMPORARY EASEMENTS
19	0	24	50

BARNSTABLE / YARMOUTH
CAPE COD RAIL TRAIL EXT. - PHASE 3

STATE	FED. AID PROJ. NO.	SHEET NO.	TOTAL SHEETS
MASS.	N/A	14	40
PROJECT FILE NO. 607398			

TOWN OF YARMOUTH

PRELIMINARY RIGHT OF WAY
PARCEL SUMMARY
SHEET - 2 OF 6

PARCEL NO.	PLAN SHEET NO.	TITLEHOLDER	TITLE REFERENCE				AREA (S.F. +/-)				TOTAL PROPERTY AREA (S.F.)	FRONTAGE ON ROW PLAN (FT.)	PROPERTY ADDRESS	REMARKS	LAND RESTRICTION FROM DEED		
			DEED BOOK	PAGE NO.	LCC NO.	CERT NO.	TAKEN		EASEMENT							TOTAL TAKEN	REMAINING
							TOWN	STATE	TYPE	AREA							
BPE-4	19, 26	TOWN OF YARMOUTH, BOARD OF SELECTMEN	21402	26								108,029	190	ROUTE 6 - MID CAPE HIGHWAY	PERMANENT BIKE PATH EASEMENT		
TE-7	26	TOWN OF YARMOUTH, BOARD OF SELECTMEN	21402	26											SLOPE GRADING (MAX 2:1) AND CLEARING & TREE REMOVAL		
TE-8	26	TOWN OF YARMOUTH, BOARD OF SELECTMEN	21402	26											SLOPE GRADING (MAX 2:1) AND CLEARING & TREE REMOVAL		
BPE-5	19, 26	TOWN OF YARMOUTH, BOARD OF SELECTMEN	4732	66								206,474	241	ROUTE 6 - MID CAPE HIGHWAY	PERMANENT BIKE PATH EASEMENT		
D-7	19, 26	TOWN OF YARMOUTH, BOARD OF SELECTMEN	4732	66											SLOPE GRADING, CLEARING & TREE REMOVAL, AND DRAINAGE		
TE-9	26	TOWN OF YARMOUTH, BOARD OF SELECTMEN	4732	66											SLOPE GRADING (MAX 2:1), CLEARING & TREE REMOVAL, AND DRAINAGE		
TE-10	26	TOWN OF YARMOUTH, BOARD OF SELECTMEN	4732	66											SLOPE GRADING (MAX 2:1), CLEARING & TREE REMOVAL, AND DRAINAGE		
BPE-6	19, 26, 28	TOWN OF YARMOUTH, BOARD OF SELECTMEN	13032	151								201,247	354	WILLOW STREET	PERMANENT BIKE PATH EASEMENT		
D-8	19, 26	TOWN OF YARMOUTH, BOARD OF SELECTMEN	13032	151											SLOPE GRADING, CLEARING & TREE REMOVAL, AND DRAINAGE		
TE-11	26, 28	TOWN OF YARMOUTH, BOARD OF SELECTMEN	13032	151											SLOPE GRADING (MAX 2:1) AND CLEARING & TREE REMOVAL		
TE-12	26, 28	TOWN OF YARMOUTH, BOARD OF SELECTMEN	13032	151											SLOPE GRADING (MAX 2:1) AND CLEARING & TREE REMOVAL		
BPE-17	19, 26-28	COMMONWEALTH OF MASSACHUSETTS, EXECUTIVE OFFICE OF TRANSPORTATION	3498	92								AREA UNKNOWN			PERMANENT BIKE PATH EASEMENT		
TE-24	26-28	COMMONWEALTH OF MASSACHUSETTS, EXECUTIVE OFFICE OF TRANSPORTATION	3498	92											SLOPE GRADING (MAX 3:1) AND CLEARING & TREE REMOVAL		
TE-25	26-27	COMMONWEALTH OF MASSACHUSETTS, EXECUTIVE OFFICE OF TRANSPORTATION	3498	92											SLOPE GRADING (MAX 3:1) AND CLEARING & TREE REMOVAL		
BPE-21	19, 26-27	TOWN OF YARMOUTH, BOARD OF SELECTMEN	900	68											PERMANENT BIKE PATH EASEMENT		
BPE-24	19, 26-27	TOWN OF YARMOUTH, BOARD OF SELECTMEN	900	68											PERMANENT BIKE PATH EASEMENT		
PUE-24	19, 26-27	TOWN OF YARMOUTH, BOARD OF SELECTMEN	900	68											PERMANENT UTILITY EASEMENT		
PUE-25	19, 26-27	TOWN OF YARMOUTH, BOARD OF SELECTMEN	900	68											PERMANENT UTILITY EASEMENT		
TE-63	26-27	TOWN OF YARMOUTH, BOARD OF SELECTMEN	900	68											SLOPE GRADING (MAX 2:1) AND CLEARING & TREE REMOVAL		
TE-64	26-27	TOWN OF YARMOUTH, BOARD OF SELECTMEN	900	68											SLOPE GRADING (MAX 2:1) AND CLEARING & TREE REMOVAL		
BPE-9	20, 29-31	TOWN OF YARMOUTH, BOARD OF SELECTMEN	892	440								1,399,583	1,133	HIGGINS CROWELL ROAD	PERMANENT BIKE PATH EASEMENT		
BPE-25	19, 26-27, 29	TOWN OF YARMOUTH, BOARD OF SELECTMEN	892	440											PERMANENT BIKE PATH EASEMENT		
TE-14	26-27, 29-31	TOWN OF YARMOUTH, BOARD OF SELECTMEN	892	440											SLOPE GRADING (MAX 2:1) AND CLEARING & TREE REMOVAL		
TE-15	29-31	TOWN OF YARMOUTH, BOARD OF SELECTMEN	892	440											SLOPE GRADING (MAX 2:1) AND CLEARING & TREE REMOVAL		
TE-49	26	YARM CAMP GROUND ASSOC. INC.	184625	61390										WILLOW STREET	SLOPE GRADING (MAX 2:1) AND CLEARING & TREE REMOVAL		
TE-69	26, 28	TOWN OF YARMOUTH, BOARD OF SELECTMEN	10382	227										ROUTE 6 - MID CAPE HIGHWAY	SLOPE GRADING (MAX 1.75:1)		

PROJECT TOTALS			
AFFECTED PROPERTIES	FEE TAKINGS	PERMANENT EASEMENTS	TEMPORARY EASEMENTS
22	0	38	56

YARMOUTH TOTALS			
AFFECTED PROPERTIES	FEE TAKINGS	PERMANENT EASEMENTS	TEMPORARY EASEMENTS
19	0	24	50

BARNSTABLE / YARMOUTH
CAPE COD RAIL TRAIL EXT. - PHASE 3

STATE	FED. AID PROJ. NO.	SHEET NO.	TOTAL SHEETS
MASS.	N/A	15	40
PROJECT FILE NO. 607398			

PRELIMINARY RIGHT OF WAY
PARCEL SUMMARY
SHEET - 3 OF 6

TOWN OF YARMOUTH (CONTINUED)

PARCEL NO.	PLAN SHEET NO.	TITLEHOLDER	TITLE REFERENCE				AREA (S.F. +/-)				TOTAL PROPERTY AREA (S.F.)	FRONTAGE ON ROW PLAN (FT.)	PROPERTY ADDRESS	REMARKS	LAND RESTRICTION FROM DEED		
			DEED BOOK	PAGE NO.	LCC NO.	CERT NO.	TAKEN		EASEMENT							TOTAL TAKEN	REMAINING
							TOWN	STATE	TYPE	AREA							
BPE-10	19-20, 29-30	TOWN OF YARMOUTH, BOARD OF SELECTMEN	858	545					PERM	6,294		917,273	1,344	HIGGINS CROWELL ROAD	PERMANENT BIKE PATH EASEMENT		
TE-27	26-27, 29	TOWN OF YARMOUTH, BOARD OF SELECTMEN	858	545					TEMP	21,815					SLOPE GRADING (MAX 3:1) AND CLEARING & TREE REMOVAL		
BPE-11	20, 30	TOWN OF YARMOUTH, BOARD OF SELECTMEN	857	310					PERM	6,243		272,047	1,891	573 HIGGINS CROWELL ROAD	PERMANENT BIKE PATH EASEMENT		
TE-28	30	TOWN OF YARMOUTH, BOARD OF SELECTMEN	857	310					TEMP	4,716				NORTH OF HIGGINS CROWELL ROAD (2004 LAYOUT)	SLOPE GRADING (MAX 3:1) AND CLEARING & TREE REMOVAL		
BPE-12	20, 30	TOWN OF YARMOUTH, BOARD OF SELECTMEN	857	310					PERM	12,884		59,572	428	606 HIGGINS CROWELL ROAD	PERMANENT BIKE PATH EASEMENT		
TE-16	30	TOWN OF YARMOUTH, BOARD OF SELECTMEN	857	310					TEMP	3,224					SLOPE GRADING (MAX 3:1) AND CLEARING & TREE REMOVAL		
BPE-13	20, 31-33, 40	TOWN OF YARMOUTH, BOARD OF SELECTMEN	4620	309					PERM	123,509		4,992,760	2,001	1146 ROUTE 28	PERMANENT BIKE PATH EASEMENT		
TE-17	31-32	TOWN OF YARMOUTH, BOARD OF SELECTMEN	4620	309					TEMP	23,490					SLOPE GRADING (MAX 2:1) AND CLEARING & TREE REMOVAL		
TE-18	31-33	TOWN OF YARMOUTH, BOARD OF SELECTMEN	4620	309					TEMP	48,848					SLOPE GRADING (MAX 2:1) AND CLEARING & TREE REMOVAL		
TE-47	30	TOWN OF YARMOUTH, BOARD OF SELECTMEN	4620	309					TEMP	1,776					SLOPE GRADING (MAX 3:1) AND CLEARING & TREE REMOVAL		
TE-56	32	TOWN OF YARMOUTH, BOARD OF SELECTMEN	4620	309					TEMP	4,828					SLOPE GRADING (MAX 3:1) AND CLEARING & TREE REMOVAL		
TE-58	32-33, 40	TOWN OF YARMOUTH, BOARD OF SELECTMEN	4620	309					TEMP	6,359					SLOPE GRADING (MAX 3:1) AND CLEARING & TREE REMOVAL		
TE-66	40	TOWN OF YARMOUTH, BOARD OF SELECTMEN	4620	309					TEMP	3,420					SLOPE GRADING (MAX 3:1) AND TREE PROTECTION		
PUE-27	20, 30	FLF REALTY LLC			28808C	153678			PERM	861		52,980	167	586 HIGGINS CROWELL ROAD	PERMANENT UTILITY EASEMENT		
TE-67	30	FLF REALTY LLC			28808C	153678			TEMP	224					SLOPE GRADING (MAX 3:1) AND CLEARING & TREE REMOVAL		

PROJECT TOTALS			
AFFECTED PROPERTIES	FEE TAKINGS	PERMANENT EASEMENTS	TEMPORARY EASEMENTS
22	0	38	56

YARMOUTH TOTALS			
AFFECTED PROPERTIES	FEE TAKINGS	PERMANENT EASEMENTS	TEMPORARY EASEMENTS
19	0	24	50

BARNSTABLE / YARMOUTH
CAPE COD RAIL TRAIL EXT. - PHASE 3

STATE	FED. AID PROJ. NO.	SHEET NO.	TOTAL SHEETS
MASS.	N/A	16	40
PROJECT FILE NO. 607398			

PRELIMINARY RIGHT OF WAY
PARCEL SUMMARY
SHEET - 4 OF 6

TOWN OF YARMOUTH (CONTINUED)

PARCEL NO.	PLAN SHEET NO.	TITLEHOLDER	TITLE REFERENCE				AREA (S.F. +/-)						TOTAL PROPERTY AREA (S.F.)	FRONTAGE ON ROW PLAN (FT.)	PROPERTY ADDRESS	REMARKS	LAND RESTRICTION FROM DEED
			DEED BOOK	PAGE NO.	LCC NO.	CERT NO.	TAKEN		EASEMENT		TOTAL TAKEN	REMAINING					
							TOWN	STATE	TYPE	AREA							
BPE-14	20-21, 32-37	TOWN OF YARMOUTH, BOARD OF SELECTMEN	5236	49					PERM	242,096			13,303,224	3,861	635 WEST YARMOUTH ROAD	PERMANENT BIKE PATH EASEMENT	
BPE-22	20, 31-32	TOWN OF YARMOUTH, BOARD OF SELECTMEN	5236	49					PERM	427						PERMANENT BIKE PATH EASEMENT	
BPE-23	20, 32	TOWN OF YARMOUTH, BOARD OF SELECTMEN	5236	49					PERM	825						PERMANENT BIKE PATH EASEMENT	
BPE-26	20, 32-33, 40	TOWN OF YARMOUTH, BOARD OF SELECTMEN	5236	49					PERM	954						PERMANENT BIKE PATH EASEMENT	
TE-19	32-33, 40	TOWN OF YARMOUTH, BOARD OF SELECTMEN	5236	49					TEMP	31,158						SLOPE GRADING (MAX 2:1), CLEARING & TREE REMOVAL, AND GRAVEL PATH	
TE-20	33	TOWN OF YARMOUTH, BOARD OF SELECTMEN	5236	49					TEMP	418						SLOPE GRADING (MAX 2:1), CLEARING & TREE REMOVAL, AND GRAVEL PATH	
TE-21	34	TOWN OF YARMOUTH, BOARD OF SELECTMEN	5236	49					TEMP	1,932						SLOPE GRADING (MAX 2:1), CLEARING & TREE REMOVAL, AND GRAVEL PATH	
TE-29	33	TOWN OF YARMOUTH, BOARD OF SELECTMEN	5236	49					TEMP	1,862						SLOPE GRADING (MAX 2:1), CLEARING & TREE REMOVAL, AND GRAVEL PATH	
TE-30	34	TOWN OF YARMOUTH, BOARD OF SELECTMEN	5236	49					TEMP	480						SLOPE GRADING (MAX 2:1), CLEARING & TREE REMOVAL, AND GRAVEL PATH	
TE-31	34-35	TOWN OF YARMOUTH, BOARD OF SELECTMEN	5236	49					TEMP	4,468						SLOPE GRADING (MAX 2:1), CLEARING & TREE REMOVAL, AND GRAVEL PATH	
TE-32	34-35	TOWN OF YARMOUTH, BOARD OF SELECTMEN	5236	49					TEMP	2,311						SLOPE GRADING (MAX 2:1), CLEARING & TREE REMOVAL, AND GRAVEL PATH	
TE-33	34-35	TOWN OF YARMOUTH, BOARD OF SELECTMEN	5236	49					TEMP	1,115						SLOPE GRADING (MAX 2:1), CLEARING & TREE REMOVAL, AND GRAVEL PATH	
TE-34	35	TOWN OF YARMOUTH, BOARD OF SELECTMEN	5236	49					TEMP	1,147						SLOPE GRADING (MAX 2:1), CLEARING & TREE REMOVAL, AND GRAVEL PATH	
TE-35	35-36	TOWN OF YARMOUTH, BOARD OF SELECTMEN	5236	49					TEMP	1,971						SLOPE GRADING (MAX 2:1), CLEARING & TREE REMOVAL, AND GRAVEL PATH	
TE-36	35-36	TOWN OF YARMOUTH, BOARD OF SELECTMEN	5236	49					TEMP	1,286						SLOPE GRADING (MAX 2:1), CLEARING & TREE REMOVAL, AND DRAINAGE	
TE-48	34	TOWN OF YARMOUTH, BOARD OF SELECTMEN	5236	49					TEMP	80						SLOPE GRADING (MAX 2:1), CLEARING & TREE REMOVAL, AND GRAVEL PATH	
TE-55	31-32	TOWN OF YARMOUTH, BOARD OF SELECTMEN	5236	49					TEMP	1,610						SLOPE GRADING (MAX 2:1), CLEARING & TREE REMOVAL, AND GRAVEL PATH	
TE-57	32	TOWN OF YARMOUTH, BOARD OF SELECTMEN	5236	49					TEMP	6,494						SLOPE GRADING (MAX 3:1) AND CLEARING & TREE REMOVAL	

PROJECT TOTALS			
AFFECTED PROPERTIES	FEE TAKINGS	PERMANENT EASEMENTS	TEMPORARY EASEMENTS
22	0	38	56

YARMOUTH TOTALS			
AFFECTED PROPERTIES	FEE TAKINGS	PERMANENT EASEMENTS	TEMPORARY EASEMENTS
19	0	24	50

BARNSTABLE / YARMOUTH
CAPE COD RAIL TRAIL EXT. - PHASE 3

STATE	FED. AID PROJ. NO.	SHEET NO.	TOTAL SHEETS
MASS.	N/A	17	40
PROJECT FILE NO. 607398			

PRELIMINARY RIGHT OF WAY
PARCEL SUMMARY
SHEET - 5 OF 6

TOWN OF YARMOUTH (CONTINUED)

PARCEL NO.	PLAN SHEET NO.	TITLEHOLDER	TITLE REFERENCE				AREA (S.F. +/-)						TOTAL PROPERTY AREA (S.F.)	FRONTAGE ON ROW PLAN (FT.)	PROPERTY ADDRESS	REMARKS	LAND RESTRICTION FROM DEED
			DEED BOOK	PAGE NO.	LCC NO.	CERT NO.	TAKEN		EASEMENT		TOTAL TAKEN	REMAINING					
							TOWN	STATE	TYPE	AREA							
BPE-15	21, 35, 37	TOWN OF YARMOUTH, BOARD OF SELECTMEN	693	123									4,400,000	2,560	597 FOREST ROAD	PERMANENT BIKE PATH EASEMENT	
BPE-16	21, 37-39	TOWN OF YARMOUTH, BOARD OF SELECTMEN	693	123												PERMANENT BIKE PATH EASEMENT	
TE-22	37-39	TOWN OF YARMOUTH, BOARD OF SELECTMEN	693	123												SLOPE GRADING (MAX 2:1) AND CLEARING & TREE REMOVAL	
TE-38	35, 37	TOWN OF YARMOUTH, BOARD OF SELECTMEN	693	123												SLOPE GRADING (MAX 2:1) AND CLEARING & TREE REMOVAL	
TE-39	35, 37	TOWN OF YARMOUTH, BOARD OF SELECTMEN	693	123												SLOPE GRADING (MAX 2:1) AND CLEARING & TREE REMOVAL	
TE-44	39	TOWN OF YARMOUTH, BOARD OF SELECTMEN	693	123												SLOPE GRADING (MAX 2:1) AND CLEARING & TREE REMOVAL	
TE-45	39	TOWN OF YARMOUTH, BOARD OF SELECTMEN	693	123												SLOPE GRADING (MAX 2:1) AND CLEARING & TREE REMOVAL	
TE-46	39	TOWN OF YARMOUTH, BOARD OF SELECTMEN	693	123												SLOPE GRADING (MAX 2:1) AND CLEARING & TREE REMOVAL	
TE-68	38	TOWN OF YARMOUTH, BOARD OF SELECTMEN	693	123												SLOPE GRADING (MAX 2:1) AND TREE PROTECTION	
TE-41	38	FOREST ROAD CONDOMINIUM	5411	325											583A THRU 583H FOREST ROAD	SLOPE GRADING, DRIVEWAY RECONSTRUCTION, FENCE REMOVAL & INSTALLATION, AND CLEARING & TREE REMOVAL	
TE-42	38	FOREST ROAD CONDOMINIUM	5411	325												SLOPE GRADING, DRIVEWAY RECONSTRUCTION, FENCE REMOVAL & INSTALLATION, AND CLEARING & TREE REMOVAL	
SL-4	21, 38	182 FOREST LLC	31434	35									75,000	619	182 OLD TOWN HOUSE ROAD	SLOPE GRADING (MAX 2:1), CLEARING & TREE REMOVAL, AND SIGHT LINE	
TE-62	38	182 FOREST LLC	31434	35												SLOPE GRADING, DRIVEWAY RECONSTRUCTION, AND CLEARING & TREE REMOVAL	
TE-23	37-38	THOMAS PECORARO	22320	224											210 OLD TOWN HOUSE ROAD	SLOPE GRADING (MAX 2:1) AND CLEARING	
TE-65	40	CAPE COD & ISLANDS ASSOC OF REALTOR INC			37737F	154585									22 MID-TECH DRIVE	SLOPE GRADING (MAX 3:1) AND CLEARING	

PROJECT TOTALS			
AFFECTED PROPERTIES	FEE TAKINGS	PERMANENT EASEMENTS	TEMPORARY EASEMENTS
22	0	38	56

SHLO TOTALS			
AFFECTED PROPERTIES	FEE TAKINGS	PERMANENT EASEMENTS	TEMPORARY EASEMENTS
1	0	2	0

BARNSTABLE / YARMOUTH
CAPE COD RAIL TRAIL EXT. - PHASE 3

STATE	FED. AID PROJ. NO.	SHEET NO.	TOTAL SHEETS
MASS.	N/A	18	40
PROJECT FILE NO. 607398			

PRELIMINARY RIGHT OF WAY
PARCEL SUMMARY
SHEET - 6 OF 6

STATE HIGHWAY LAYOUT

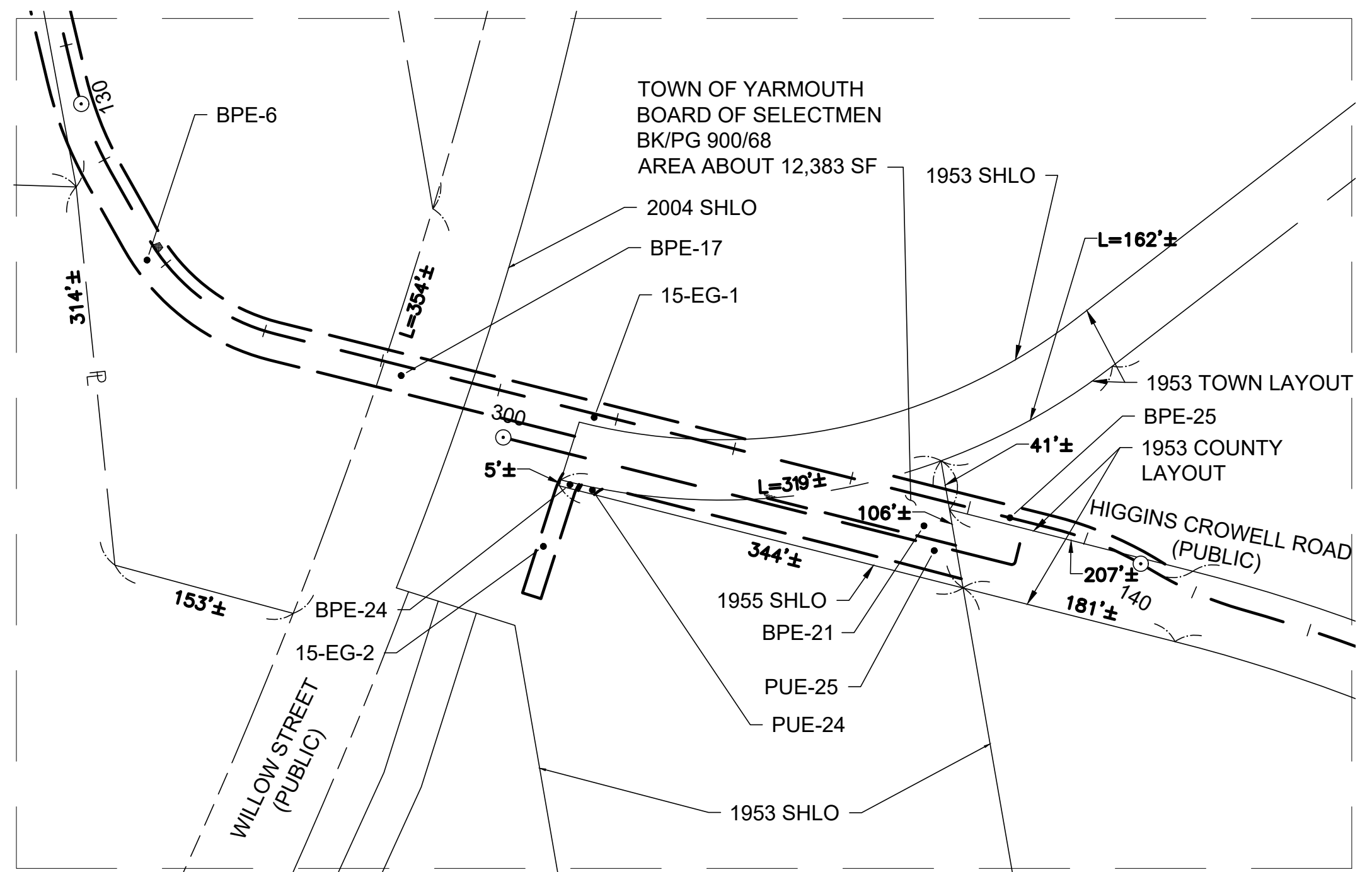
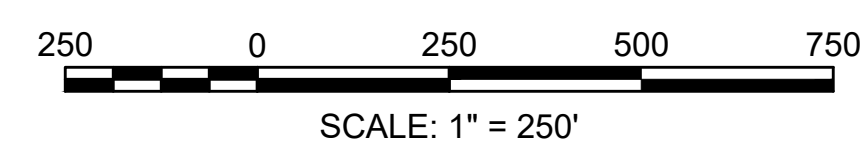
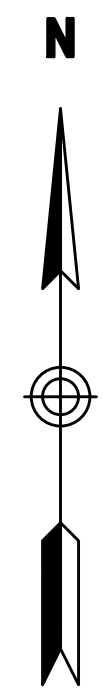
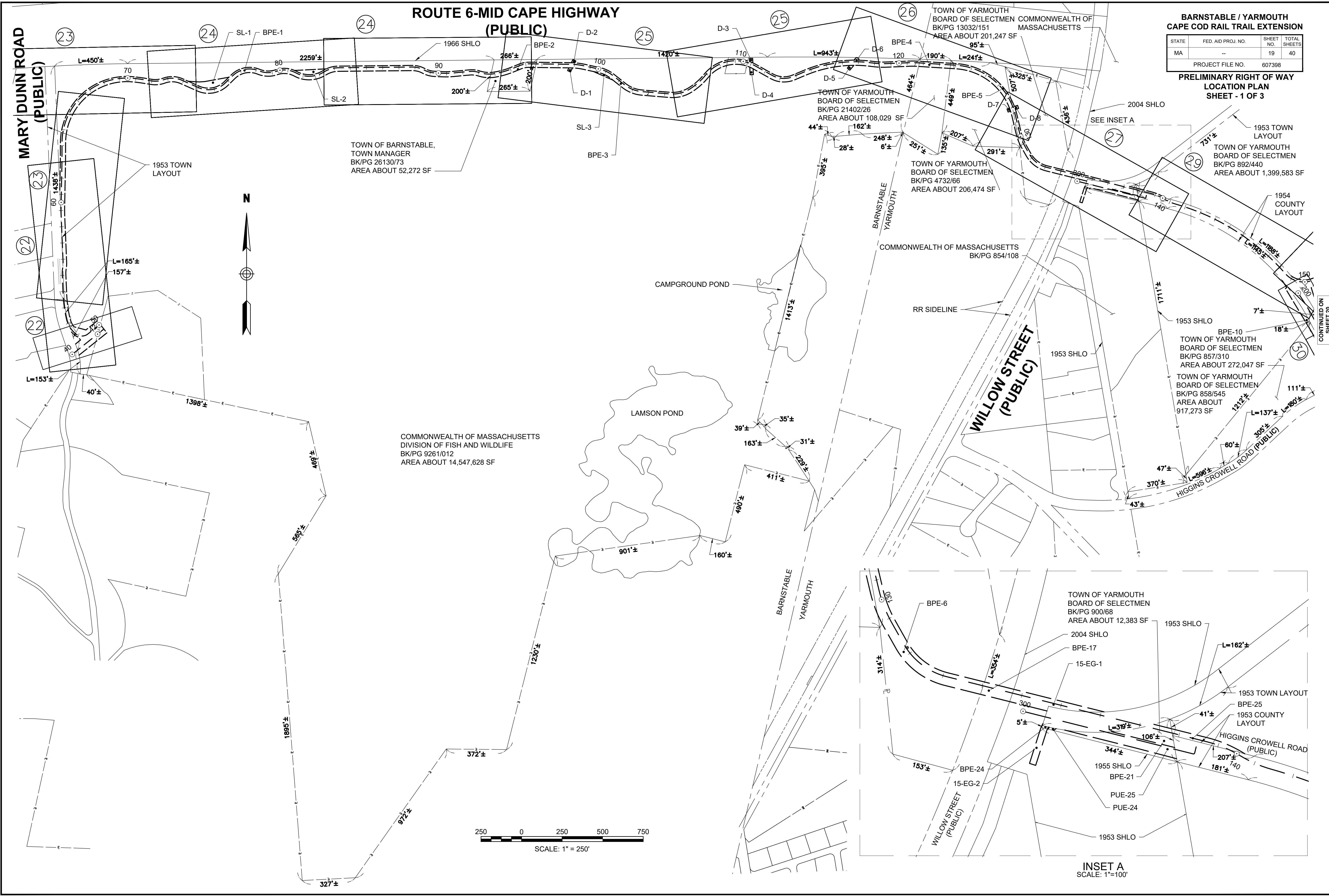
PARCEL NO.	PLAN SHEET NO.	TITLEHOLDER	TITLE REFERENCE				AREA (S.F. +/-)				TOTAL PROPERTY AREA (S.F.)	FRONTAGE ON ROW PLAN (FT.)	PROPERTY ADDRESS	REMARKS	LAND RESTRICTION FROM DEED		
			DEED BOOK	PAGE NO.	LCC NO.	CERT NO.	TAKEN		EASEMENT							TOTAL TAKEN	REMAINING
							TOWN	STATE	TYPE	AREA							
15-EG-1	19, 26-27	COMMONWEALTH OF MASSACHUSETTS	854	108								AREA UNKNOWN	362 WILLOW STREET	PERMANENT BIKE PATH EASEMENT - AIR RIGHTS WITHIN SHLO			
15-EG-2	19, 26-27	COMMONWEALTH OF MASSACHUSETTS	854	108										PERMANENT BIKE PATH EASEMENT			

ROUTE 6-MID CAPE HIGHWAY (PUBLIC)

BARNSTABLE / YARMOUTH CAPE COD RAIL TRAIL EXTENSION

STATE	FED. AID PROJ. NO.	SHEET NO.	TOTAL SHEETS
MA	--	19	40

PROJECT FILE NO. 607398
PRELIMINARY RIGHT OF WAY
LOCATION PLAN
SHEET - 1 OF 3



INSET A
SCALE: 1"=100'

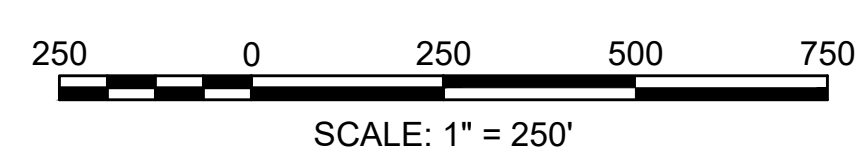
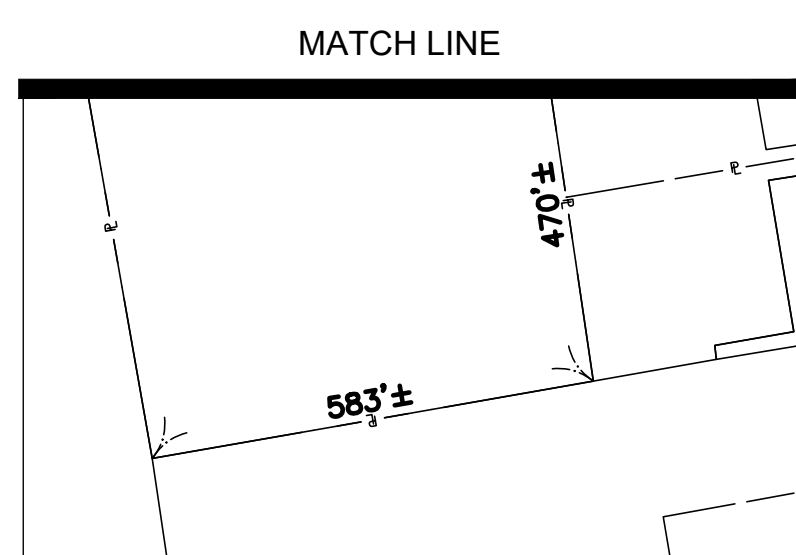
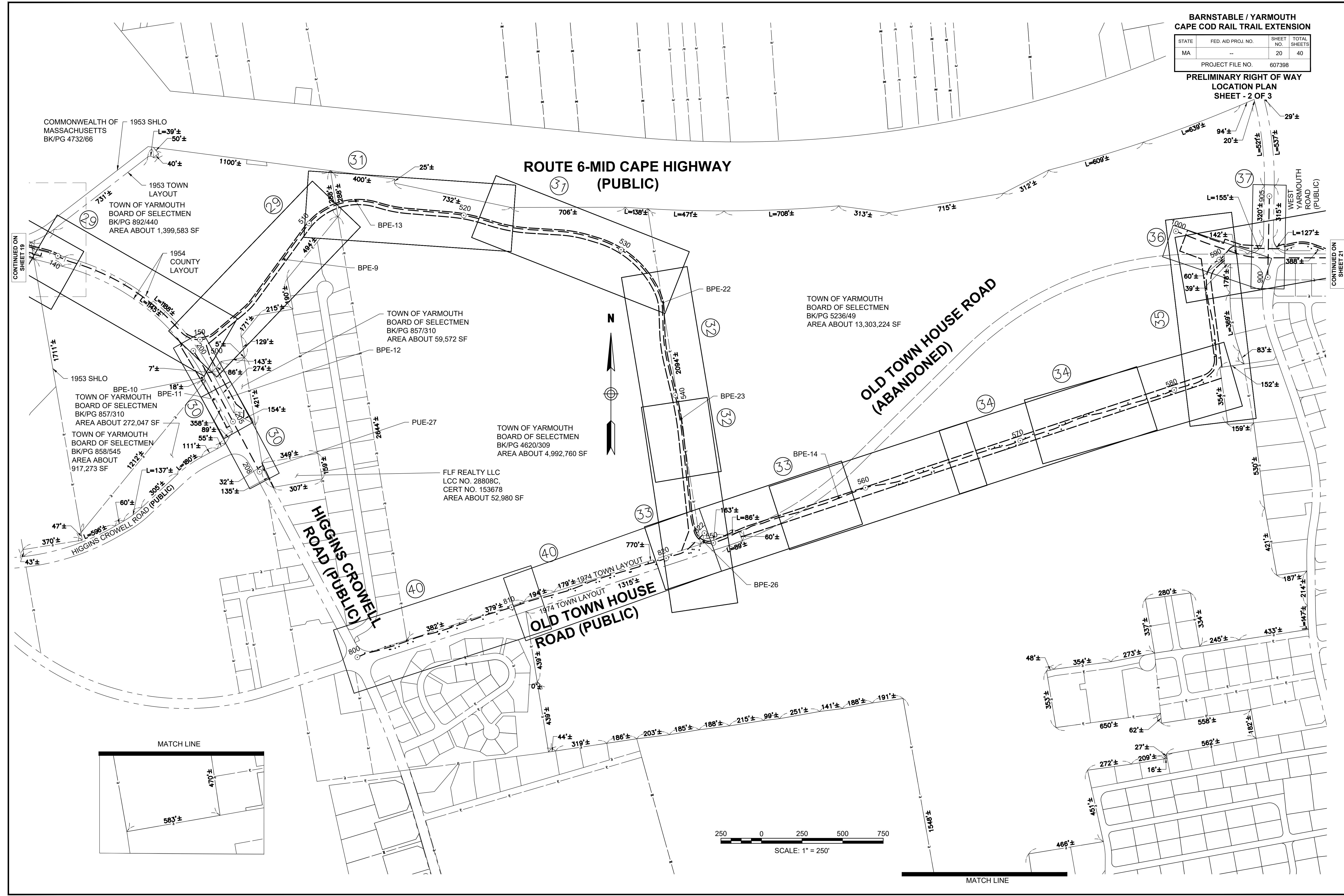
CONTINUED ON
SHEET 20

**BARNSTABLE / YARMOUTH
CAPE COD RAIL TRAIL EXTENSION**

STATE	FED. AID PROJ. NO.	SHEET NO.	TOTAL SHEETS
MA	--	20	40

PROJECT FILE NO. 607398

**PRELIMINARY RIGHT OF WAY
LOCATION PLAN
SHEET - 2 OF 3**

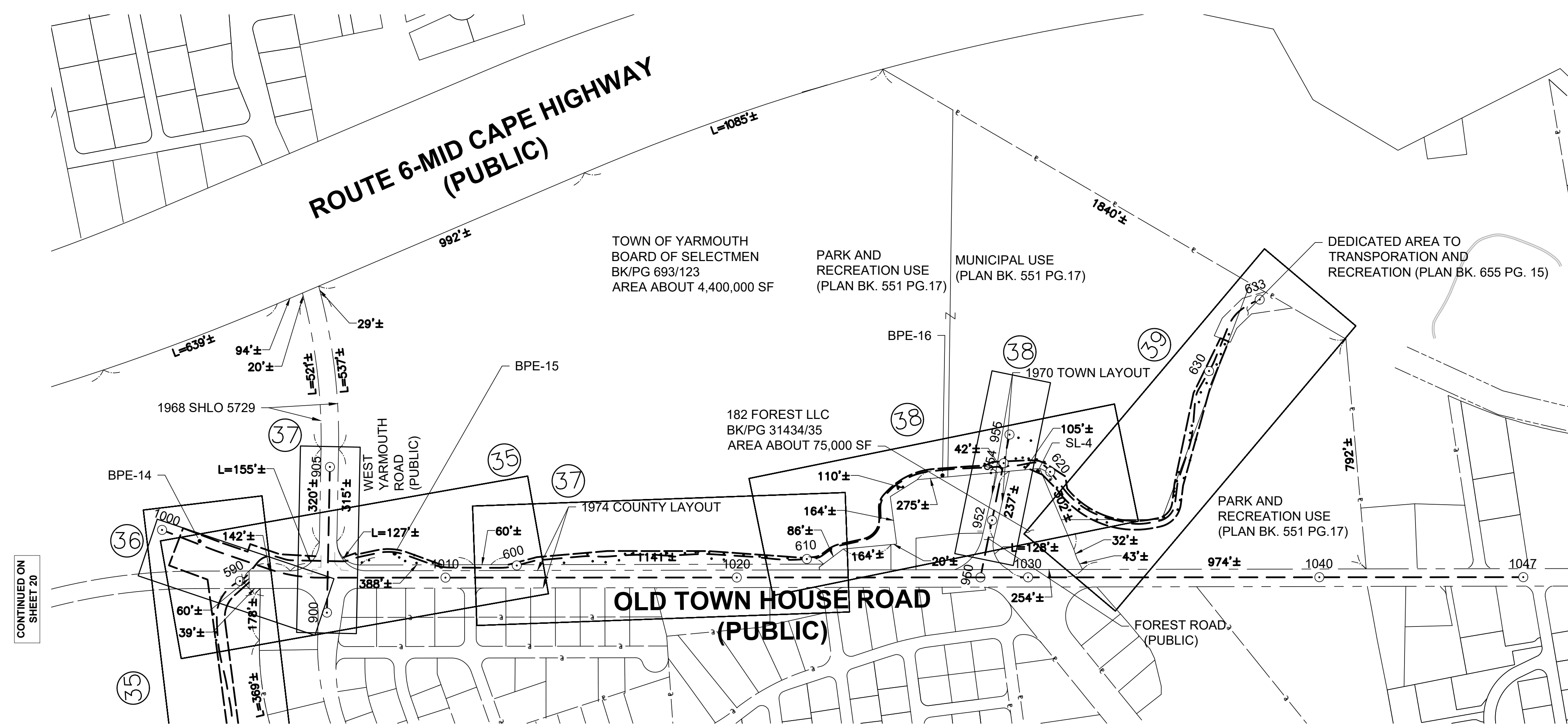


BARNSTABLE / YARMOUTH
CAPE COD RAIL TRAIL EXTENSION

STATE	FED. AID PROJ. NO.	SHEET NO.	TOTAL SHEETS
MA	--	21	40

PROJECT FILE NO. 607398

PRELIMINARY RIGHT OF WAY
LOCATION PLAN
SHEET - 3 OF 3



CONTINUED ON
SHEET 20

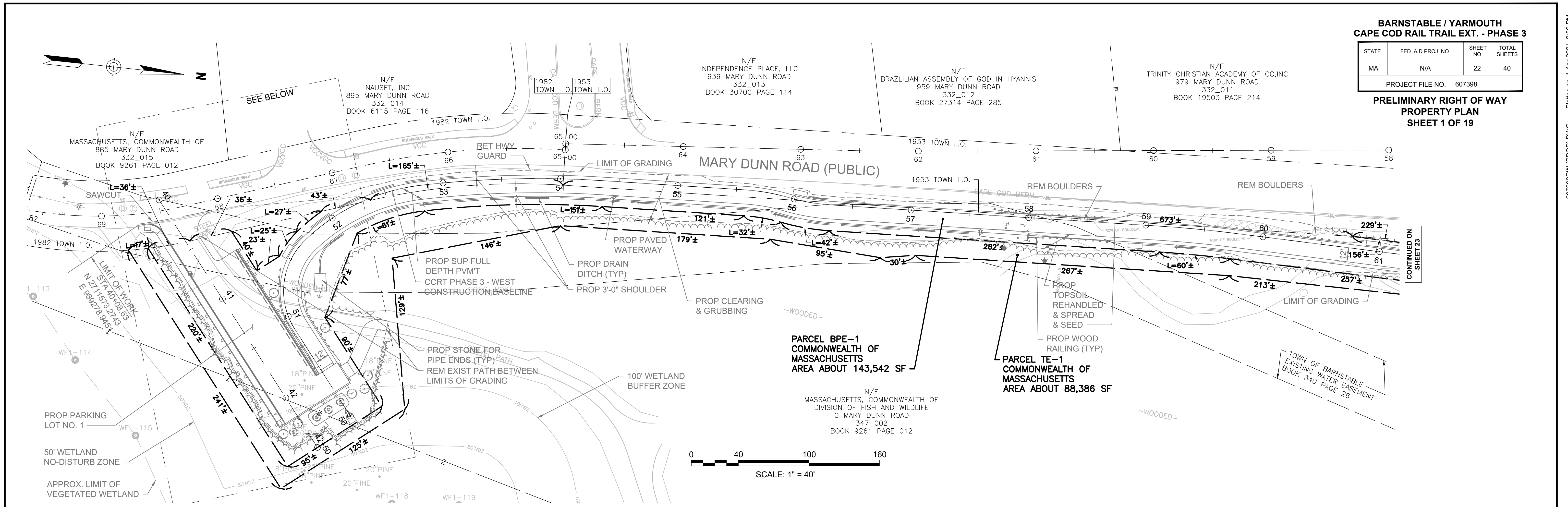


**BARNSTABLE / YARMOUTH
CAPE COD RAIL TRAIL EXT. - PHASE 3**

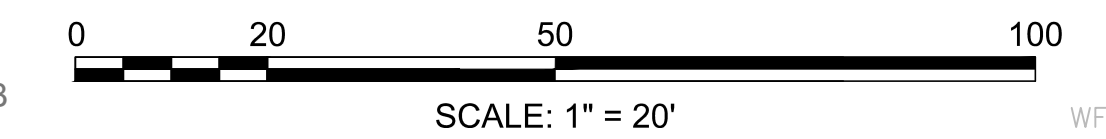
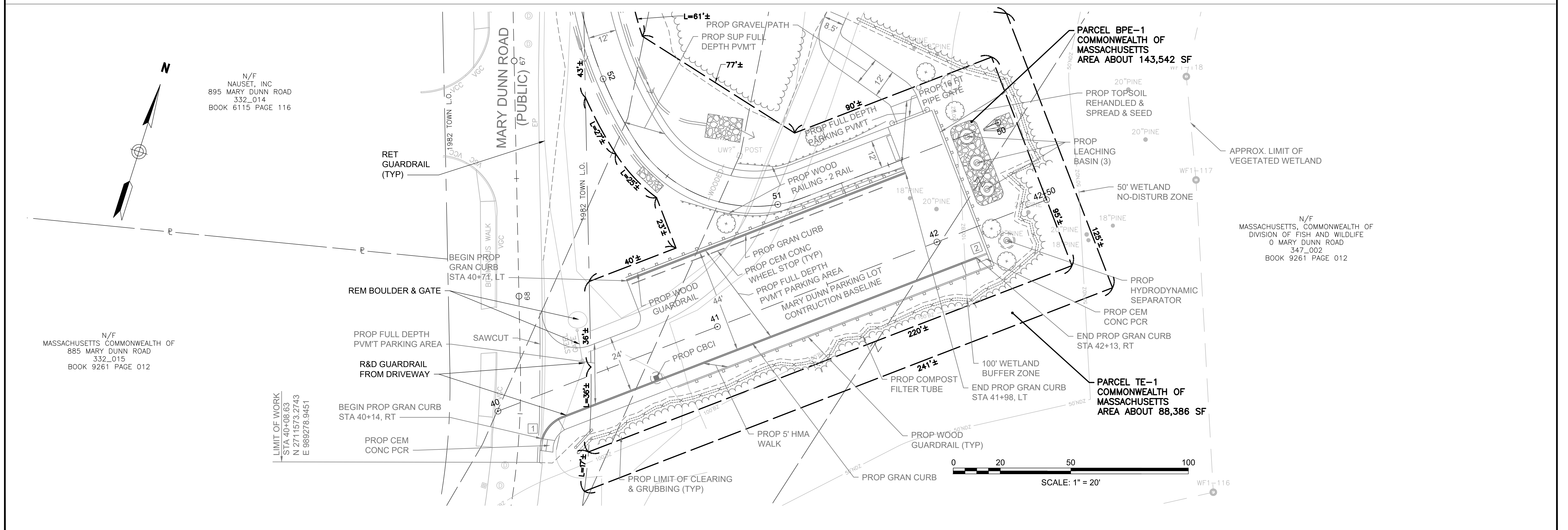
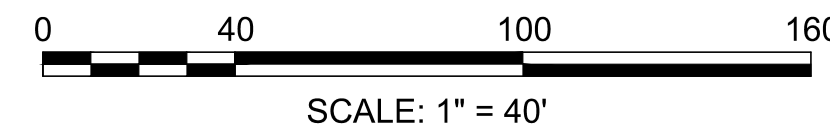
STATE	FED AID PROJ. NO.	SHEET NO.	TOTAL SHEETS
MA	N/A	22	40

PROJECT FILE NO. 607398

**PRELIMINARY RIGHT OF WAY
PROPERTY PLAN
SHEET 1 OF 19**



CONTINUED ON
SHEET 23

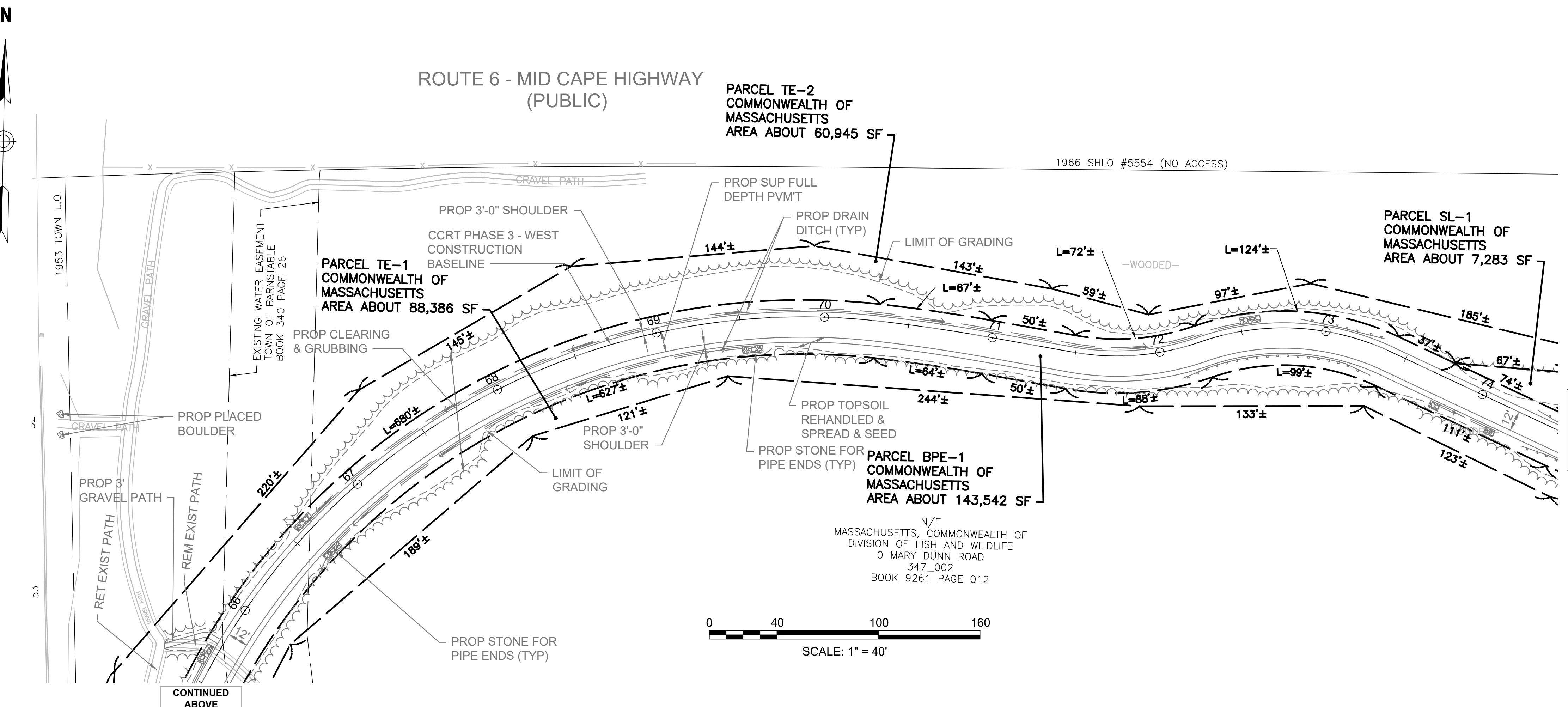
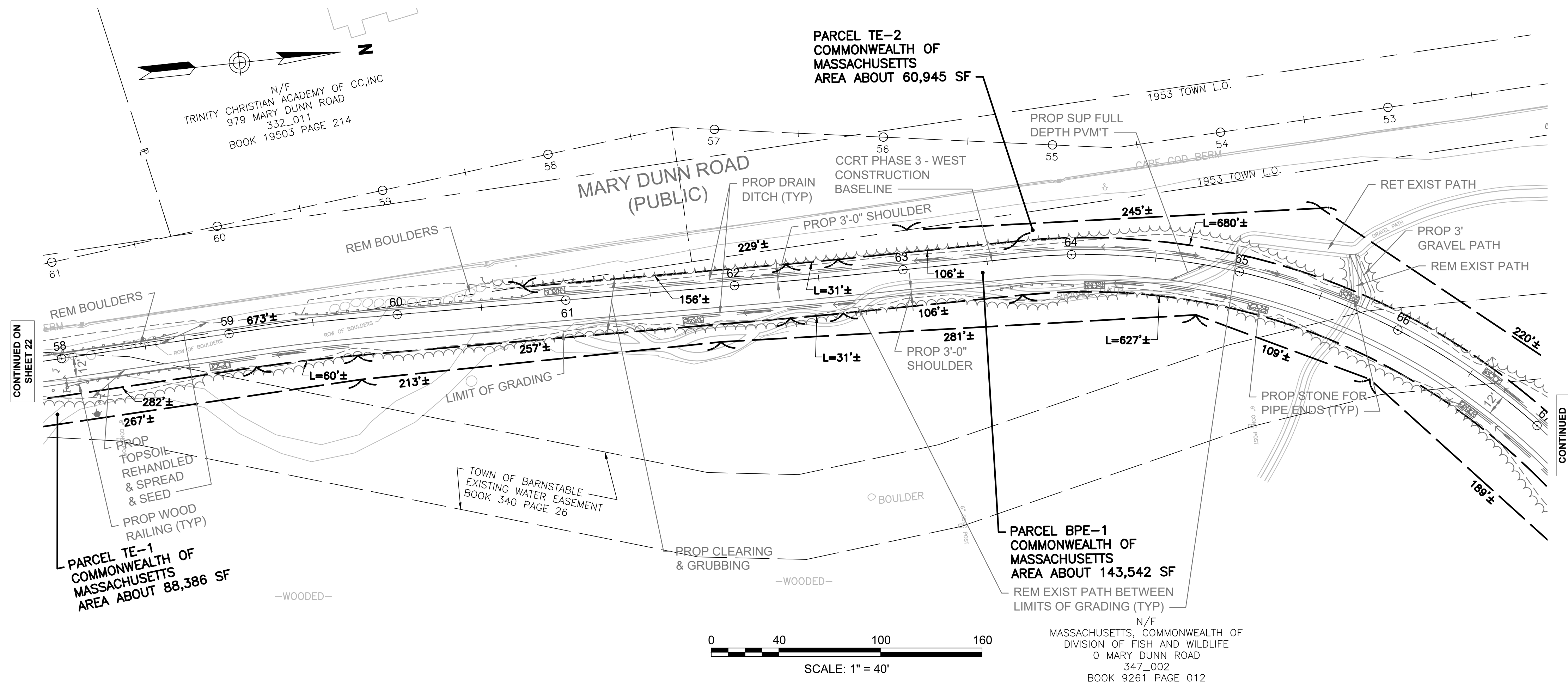


**BARNSTABLE / YARMOUTH
CAPE COD RAIL TRAIL EXT. - PHASE 3**

STATE	FED. AID PROJ. NO.	SHEET NO.	TOTAL SHEETS
MA	N/A	23	40

PROJECT FILE NO. 607398

**PRELIMINARY RIGHT OF WAY
PROPERTY PLAN
SHEET 2 OF 19**



CONTINUED ON SHEET 22

CONTINUED BELOW

CONTINUED ABOVE

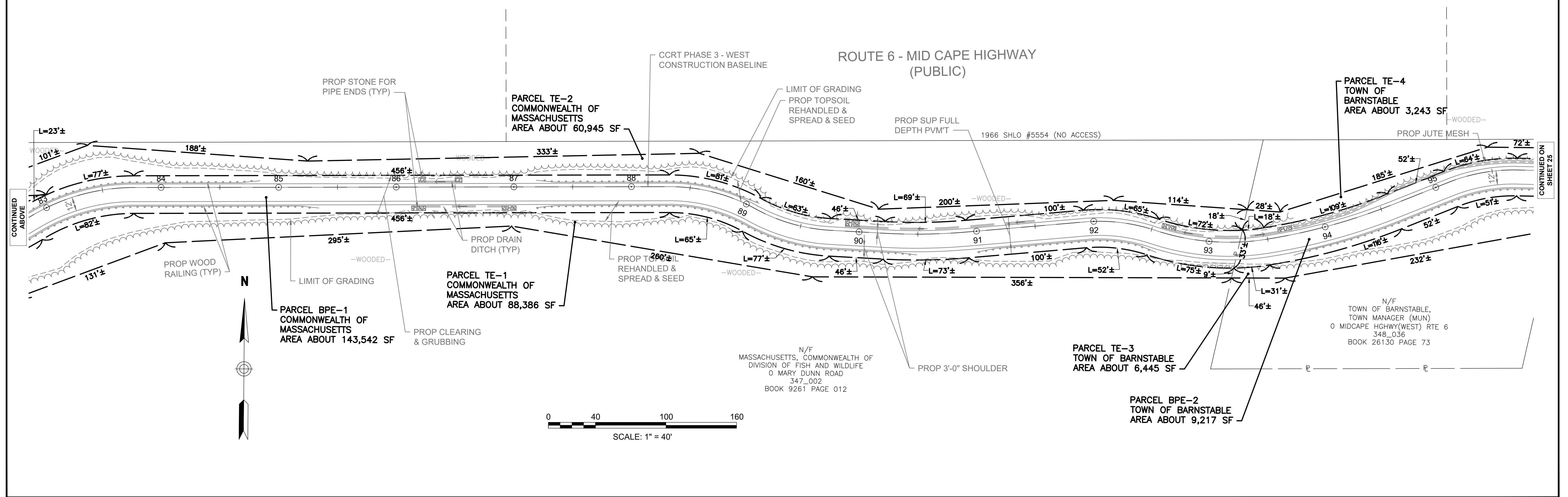
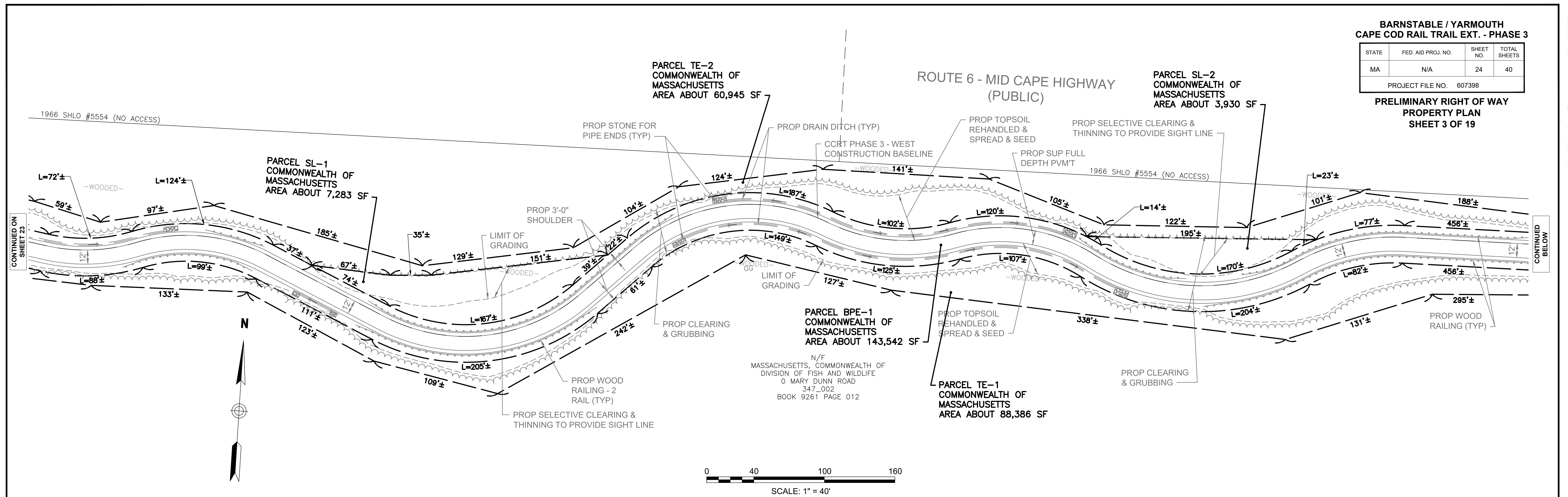
CONTINUED ON SHEET 24

**BARNSTABLE / YARMOUTH
CAPE COD RAIL TRAIL EXT. - PHASE 3**

STATE	FED. AID PROJ. NO.	SHEET NO.	TOTAL SHEETS
MA	N/A	24	40

PROJECT FILE NO. 607398

**PRELIMINARY RIGHT OF WAY
PROPERTY PLAN
SHEET 3 OF 19**

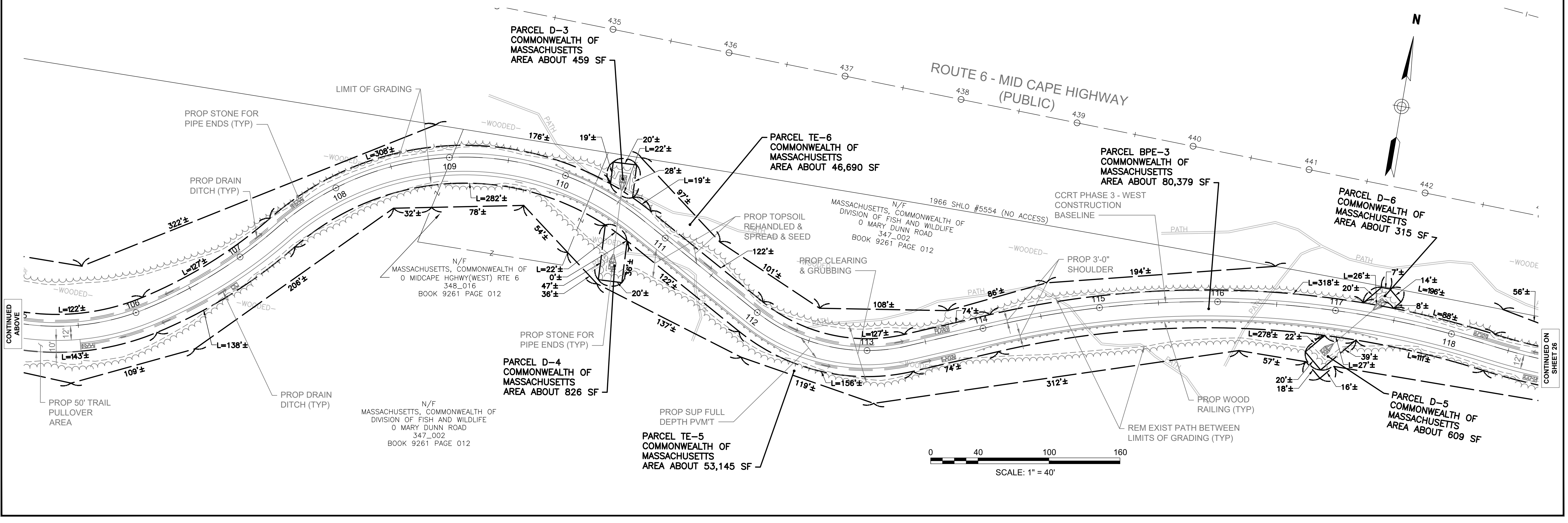
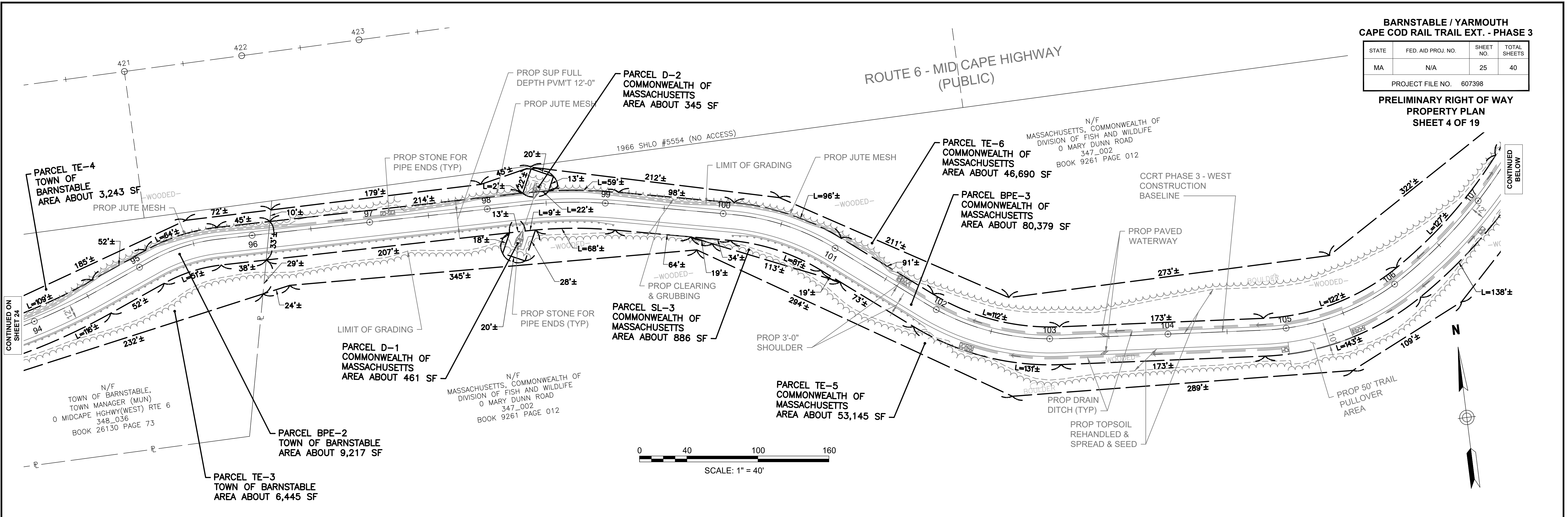


**BARNSTABLE / YARMOUTH
CAPE COD RAIL TRAIL EXT. - PHASE 3**

STATE	FED AID PROJ. NO.	SHEET NO.	TOTAL SHEETS
MA	N/A	25	40

PROJECT FILE NO. 607398

**PRELIMINARY RIGHT OF WAY
PROPERTY PLAN
SHEET 4 OF 19**

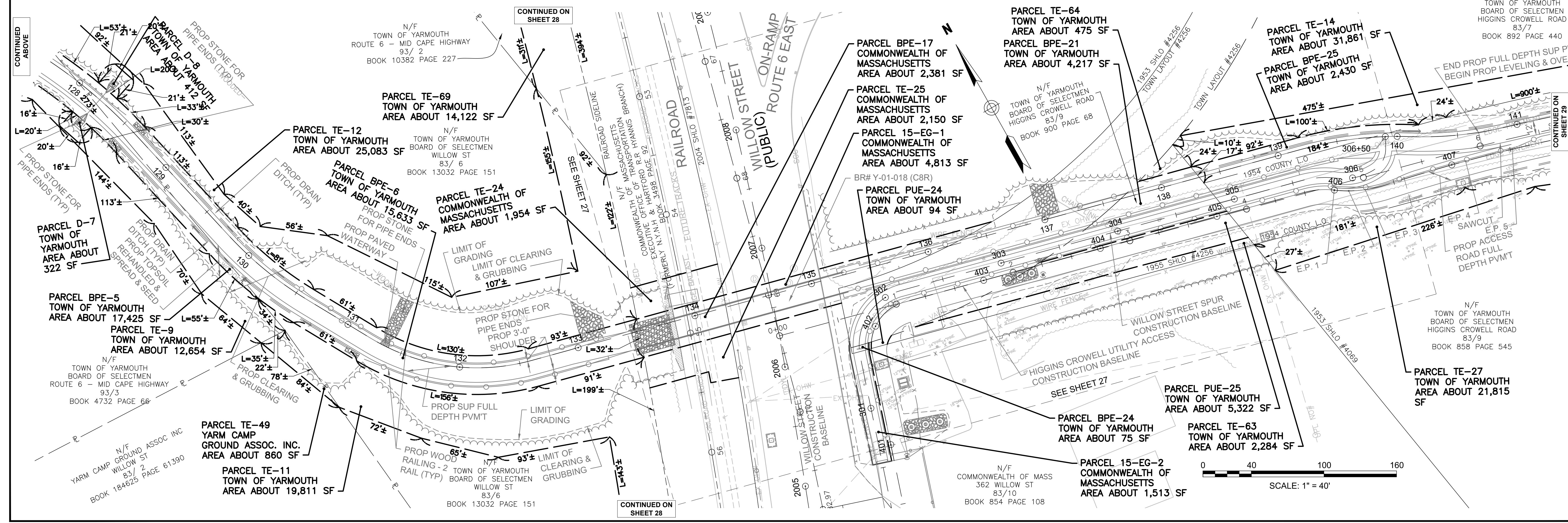
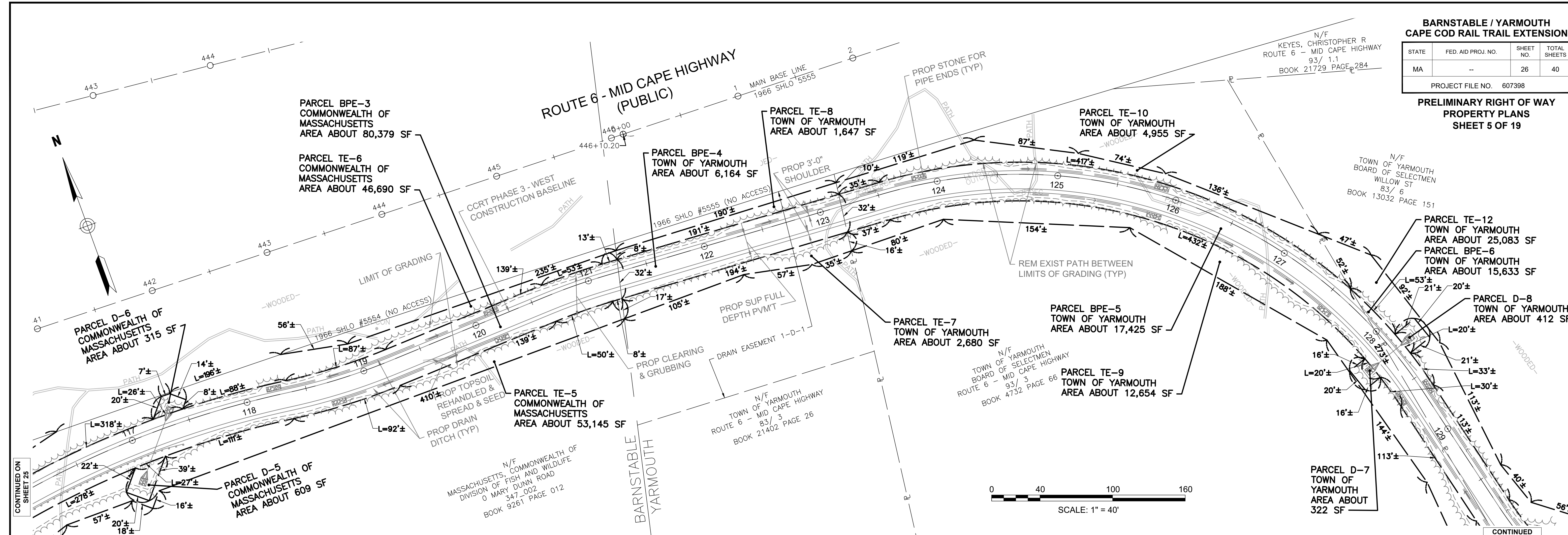


**BARNSTABLE / YARMOUTH
CAPE COD RAIL TRAIL EXTENSION**

STATE	FED AID PROJ. NO.	SHEET NO.	TOTAL SHEETS
MA	--	26	40

PROJECT FILE NO. 607398

**PRELIMINARY RIGHT OF WAY
PROPERTY PLANS
SHEET 5 OF 19**

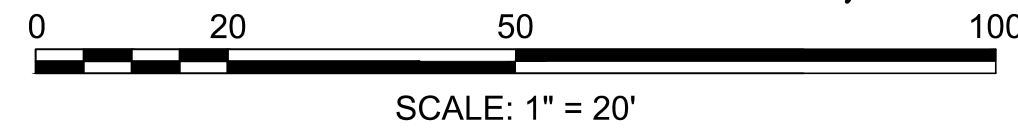
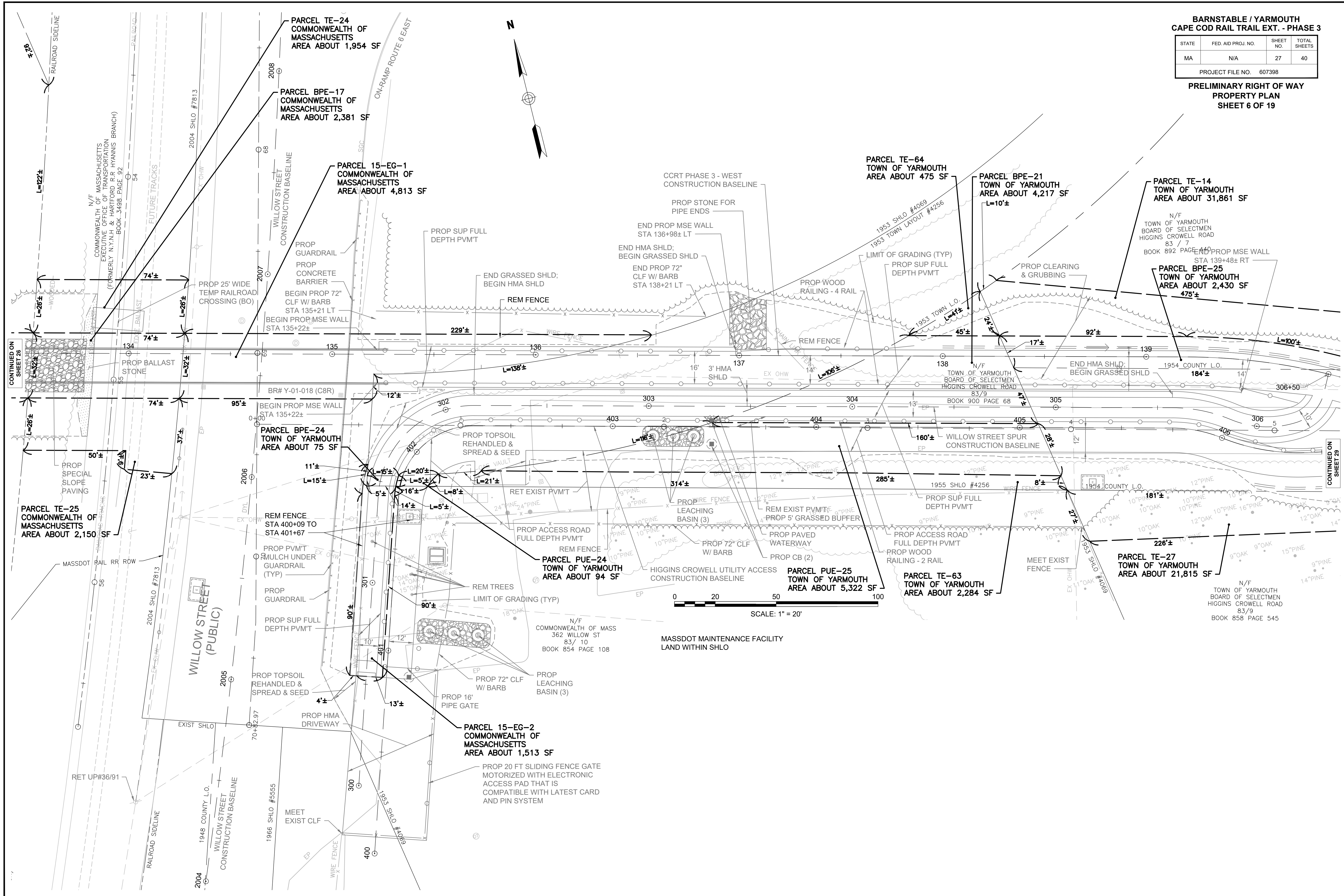


**BARNSTABLE / YARMOUTH
CAPE COD RAIL TRAIL EXT. - PHASE 3**

STATE	FED AID PROJ. NO.	SHEET NO.	TOTAL SHEETS
MA	N/A	27	40

PROJECT FILE NO. 607398

**PRELIMINARY RIGHT OF WAY
PROPERTY PLAN
SHEET 6 OF 19**



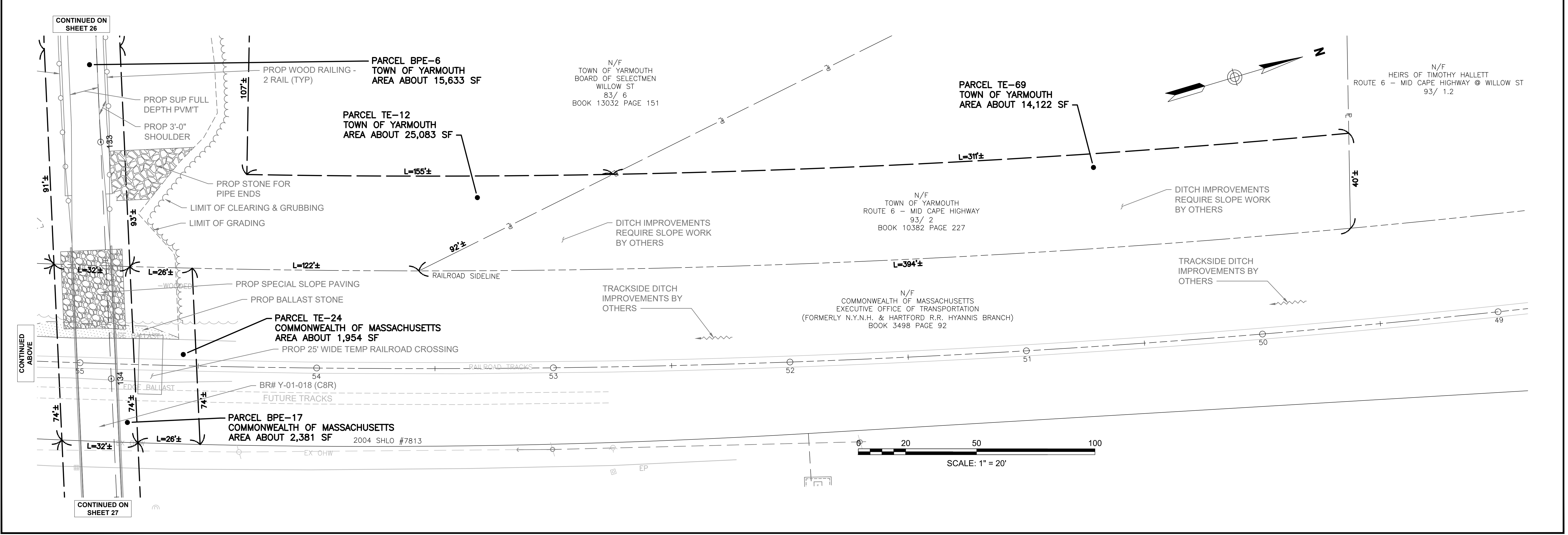
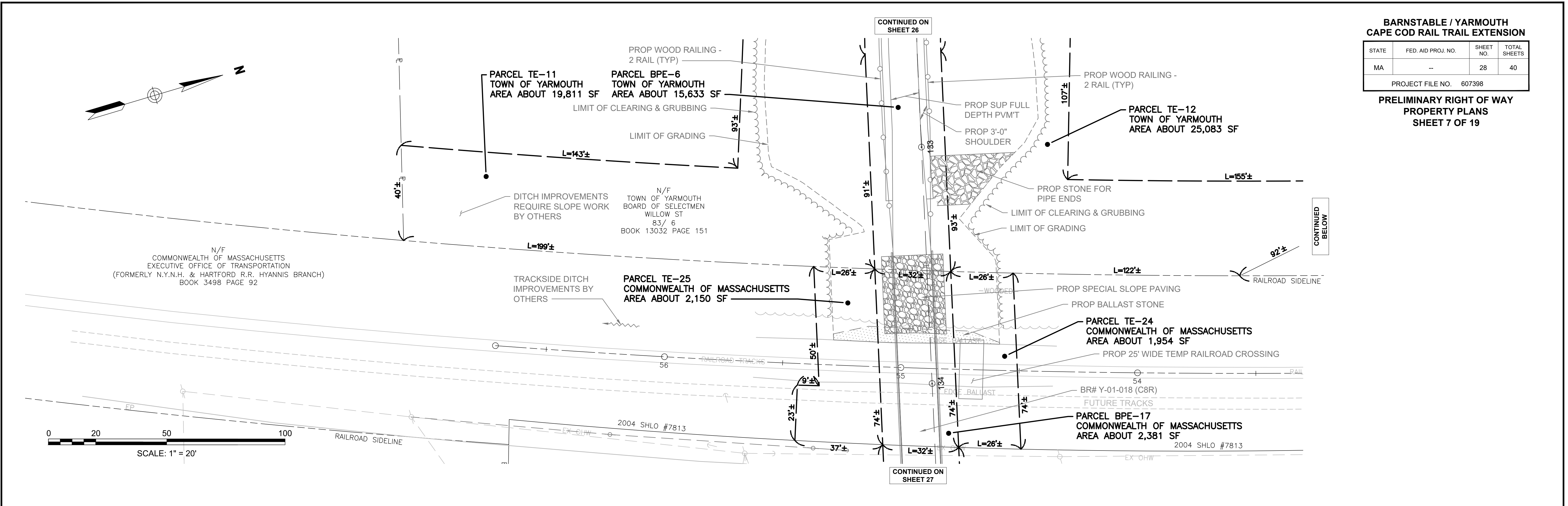
607398RW (PROP)DWG Plotted on 4-Apr-2024 3:05 PM

**BARNSTABLE / YARMOUTH
CAPE COD RAIL TRAIL EXTENSION**

STATE	FED. AID PROJ. NO.	SHEET NO.	TOTAL SHEETS
MA	--	28	40

PROJECT FILE NO. 607398

**PRELIMINARY RIGHT OF WAY
PROPERTY PLANS
SHEET 7 OF 19**



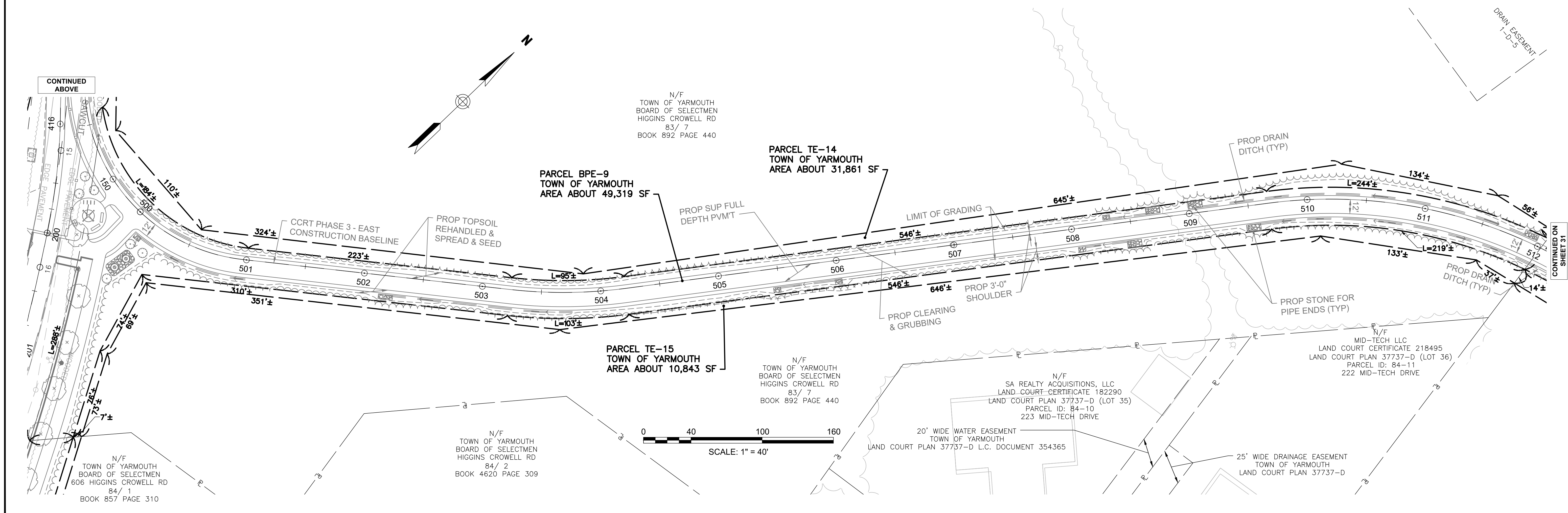
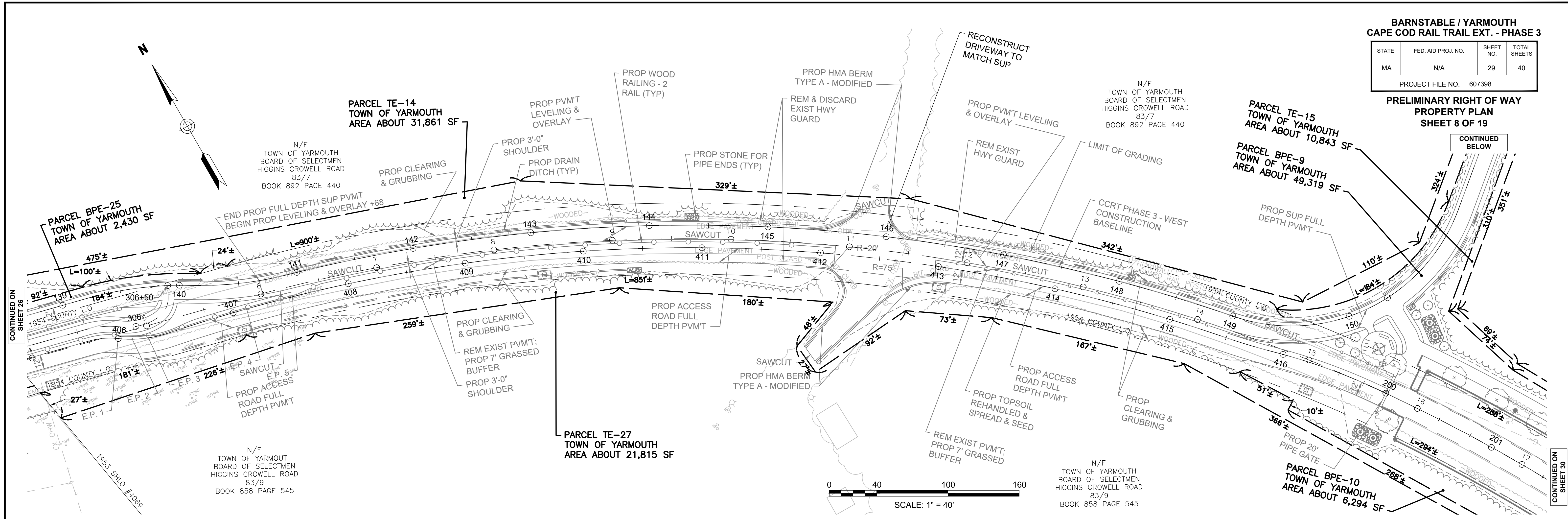
607398.RVT (PROJ).DWG Plotted on 4-Apr-2024 3:07 PM

**BARNSTABLE / YARMOUTH
CAPE COD RAIL TRAIL EXT. - PHASE 3**

STATE	FED AID PROJ. NO.	SHEET NO.	TOTAL SHEETS
MA	N/A	29	40

PROJECT FILE NO. 607398

**PRELIMINARY RIGHT OF WAY
PROPERTY PLAN
SHEET 8 OF 19**

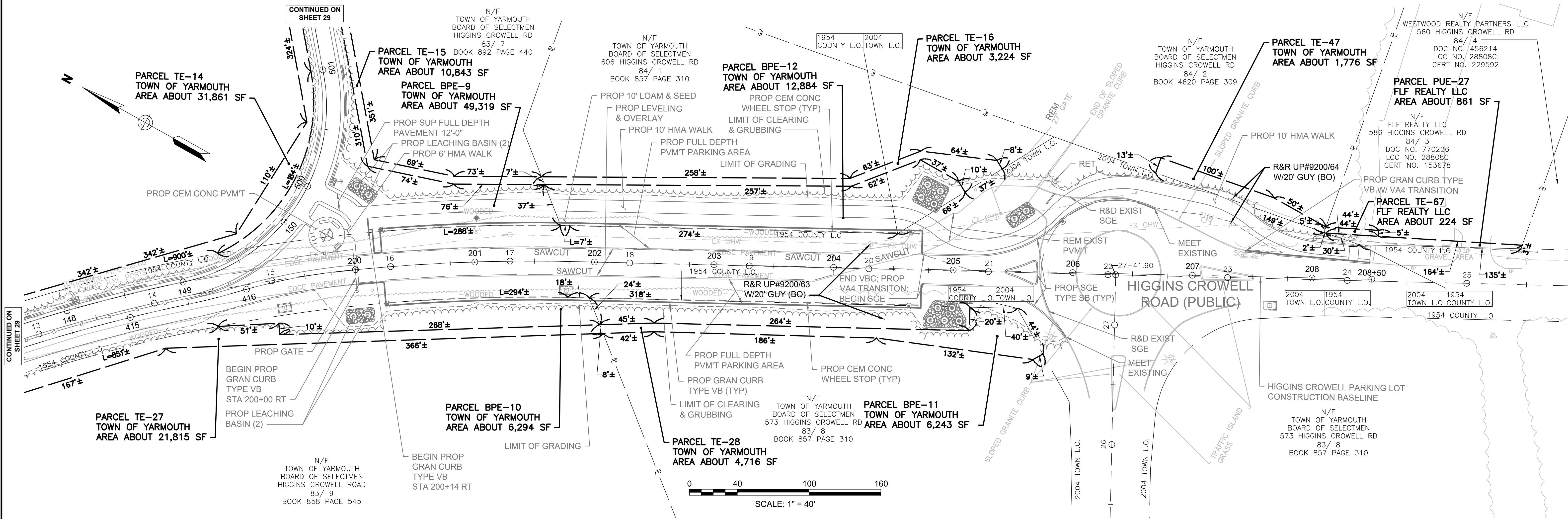


**BARNSTABLE / YARMOUTH
CAPE COD RAIL TRAIL EXTENSION**

STATE	FED AID PROJ. NO.	SHEET NO.	TOTAL SHEETS
MA	--	30	40

PROJECT FILE NO. 607398

**PRELIMINARY RIGHT OF WAY
PROPERTY PLANS
SHEET 9 OF 19**

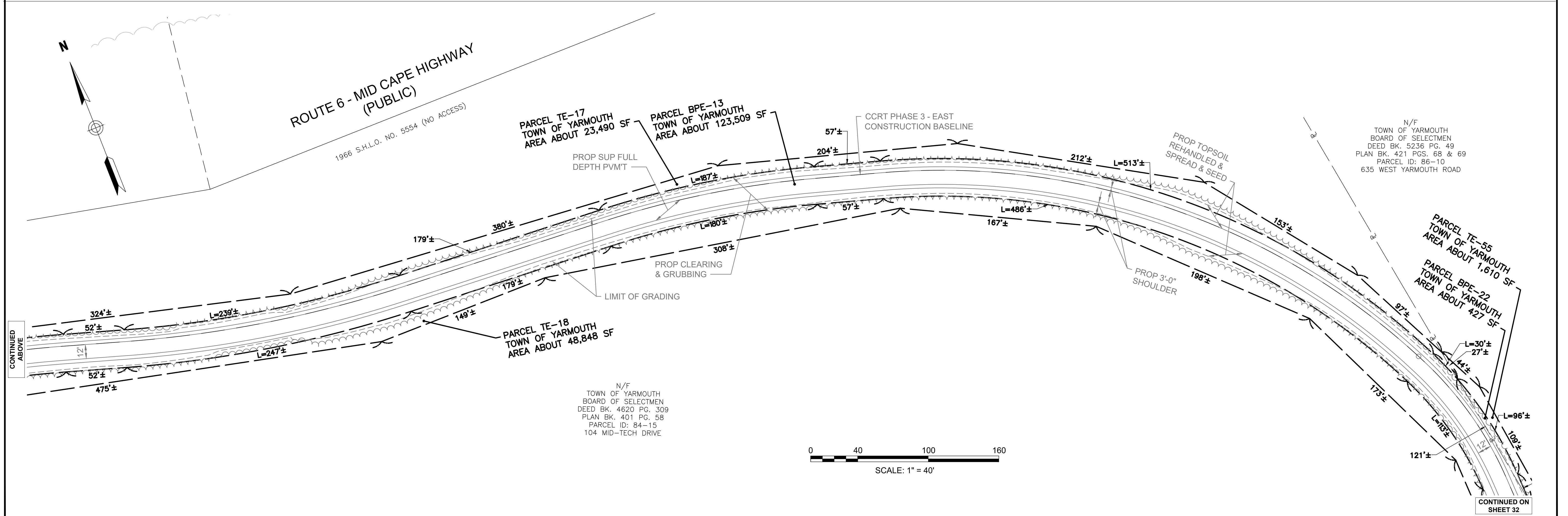
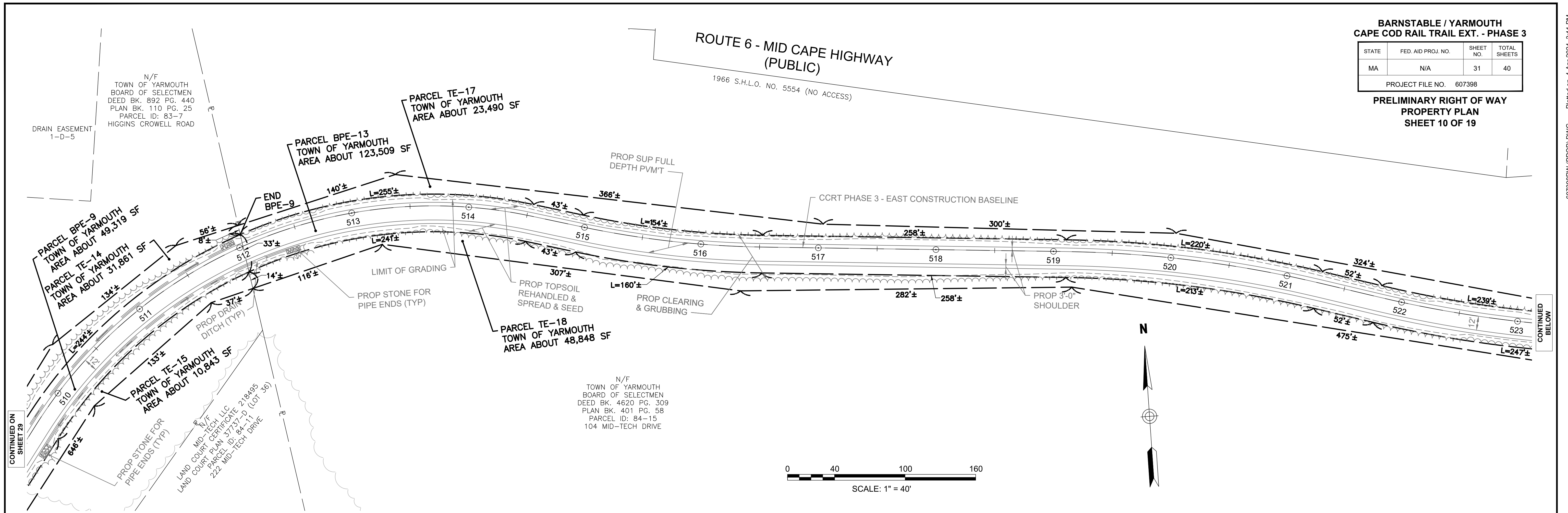


**BARNSTABLE / YARMOUTH
CAPE COD RAIL TRAIL EXT. - PHASE 3**

STATE	FED. AID PROJ. NO.	SHEET NO.	TOTAL SHEETS
MA	N/A	31	40

PROJECT FILE NO. 607398

**PRELIMINARY RIGHT OF WAY
PROPERTY PLAN
SHEET 10 OF 19**



607398RW (PROP).DWG Plotted on 4-Apr-2024 3:11 PM

CONTINUED ON SHEET 29

CONTINUED BELOW

CONTINUED ABOVE

CONTINUED ON SHEET 32

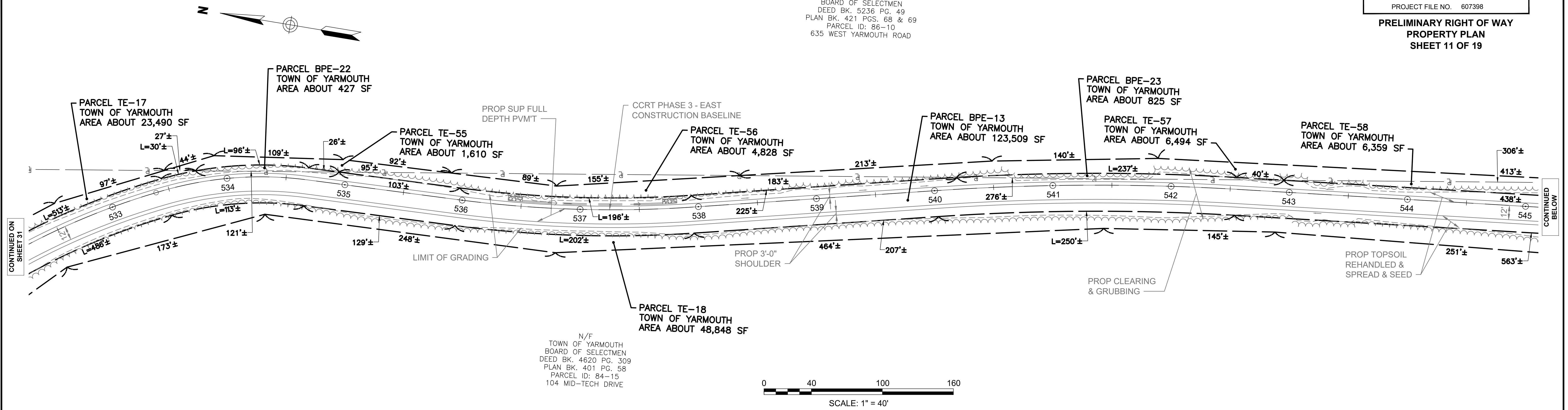
**BARNSTABLE / YARMOUTH
CAPE COD RAIL TRAIL EXT. - PHASE 3**

STATE	FED. AID PROJ. NO.	SHEET NO.	TOTAL SHEETS
MA	N/A	32	40

PROJECT FILE NO. 607398

**PRELIMINARY RIGHT OF WAY
PROPERTY PLAN
SHEET 11 OF 19**

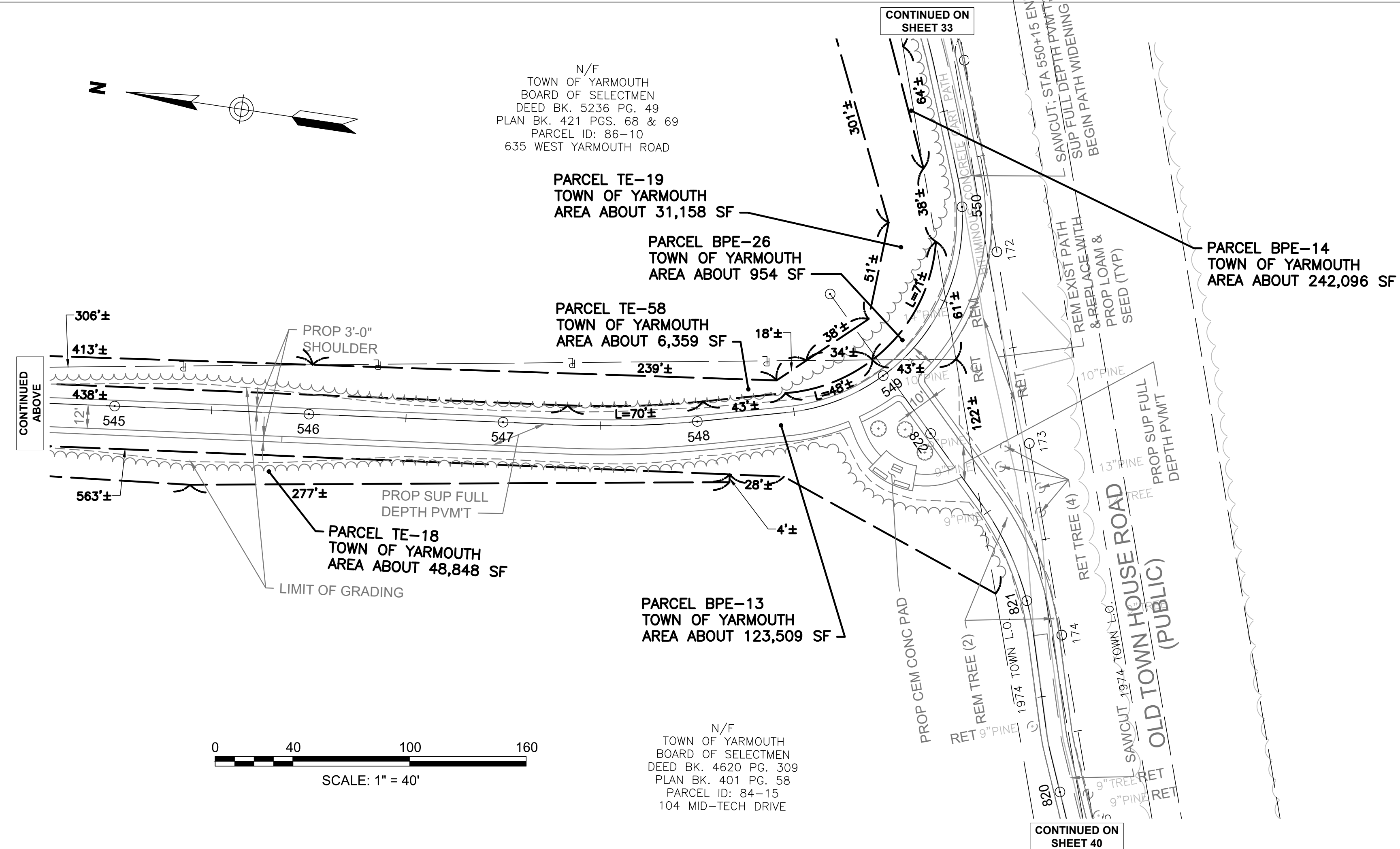
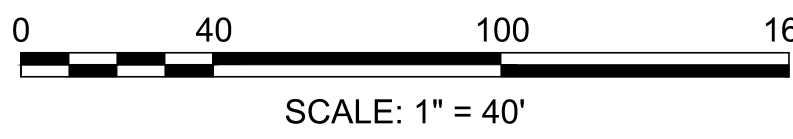
N/F
TOWN OF YARMOUTH
BOARD OF SELECTMEN
DEED BK. 5236 PG. 49
PLAN BK. 421 PGS. 68 & 69
PARCEL ID: 86-10
635 WEST YARMOUTH ROAD



CONTINUED ON
SHEET 31

CONTINUED
BELOW

N/F
TOWN OF YARMOUTH
BOARD OF SELECTMEN
DEED BK. 4620 PG. 309
PLAN BK. 401 PG. 58
PARCEL ID: 84-15
104 MID-TECH DRIVE



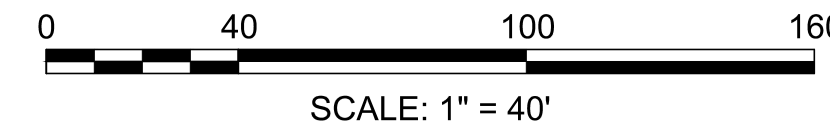
CONTINUED ON
SHEET 33

CONTINUED
ABOVE

CONTINUED ON
SHEET 40

N/F
TOWN OF YARMOUTH
BOARD OF SELECTMEN
DEED BK. 5236 PG. 49
PLAN BK. 421 PGS. 68 & 69
PARCEL ID: 86-10
635 WEST YARMOUTH ROAD

N/F
TOWN OF YARMOUTH
BOARD OF SELECTMEN
DEED BK. 4620 PG. 309
PLAN BK. 401 PG. 58
PARCEL ID: 84-15
104 MID-TECH DRIVE

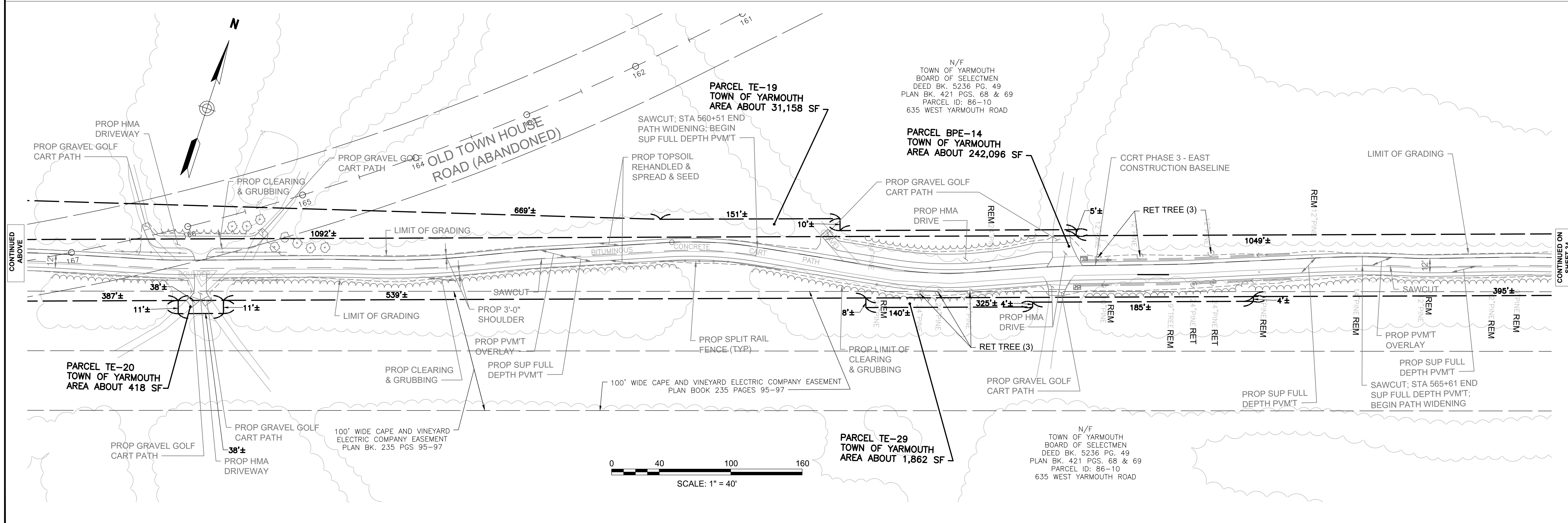
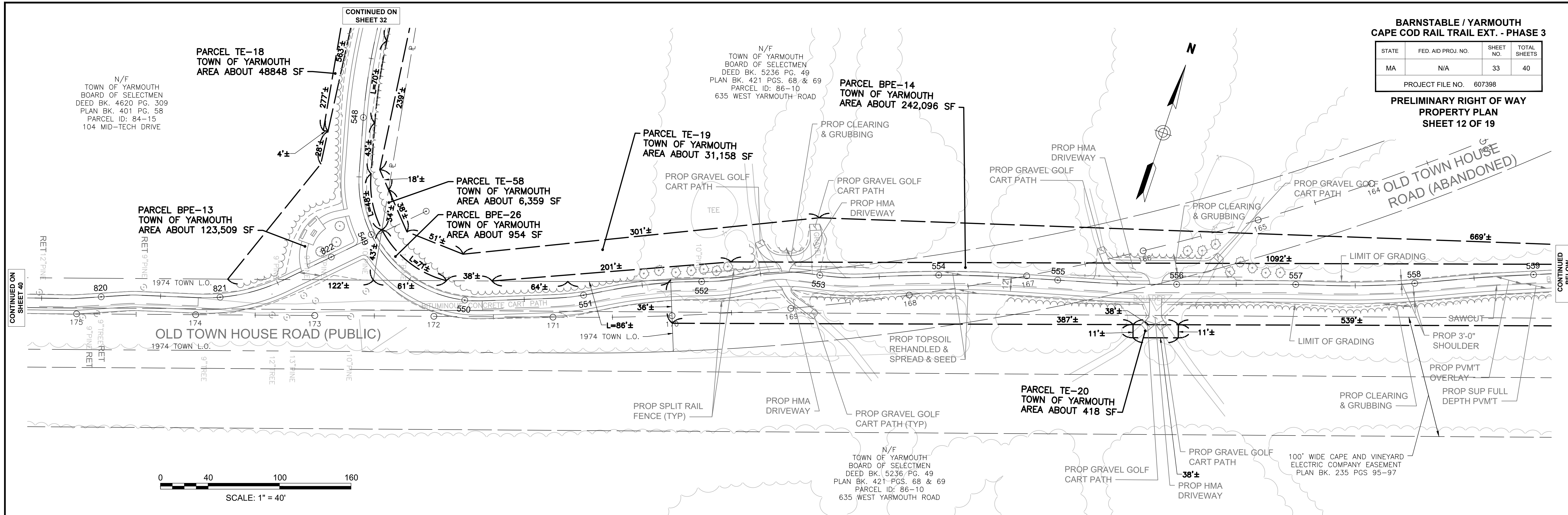


**BARNSTABLE / YARMOUTH
CAPE COD RAIL TRAIL EXT. - PHASE 3**

STATE	FED. AID PROJ. NO.	SHEET NO.	TOTAL SHEETS
MA	N/A	33	40

PROJECT FILE NO. 607398

**PRELIMINARY RIGHT OF WAY
PROPERTY PLAN
SHEET 12 OF 19**

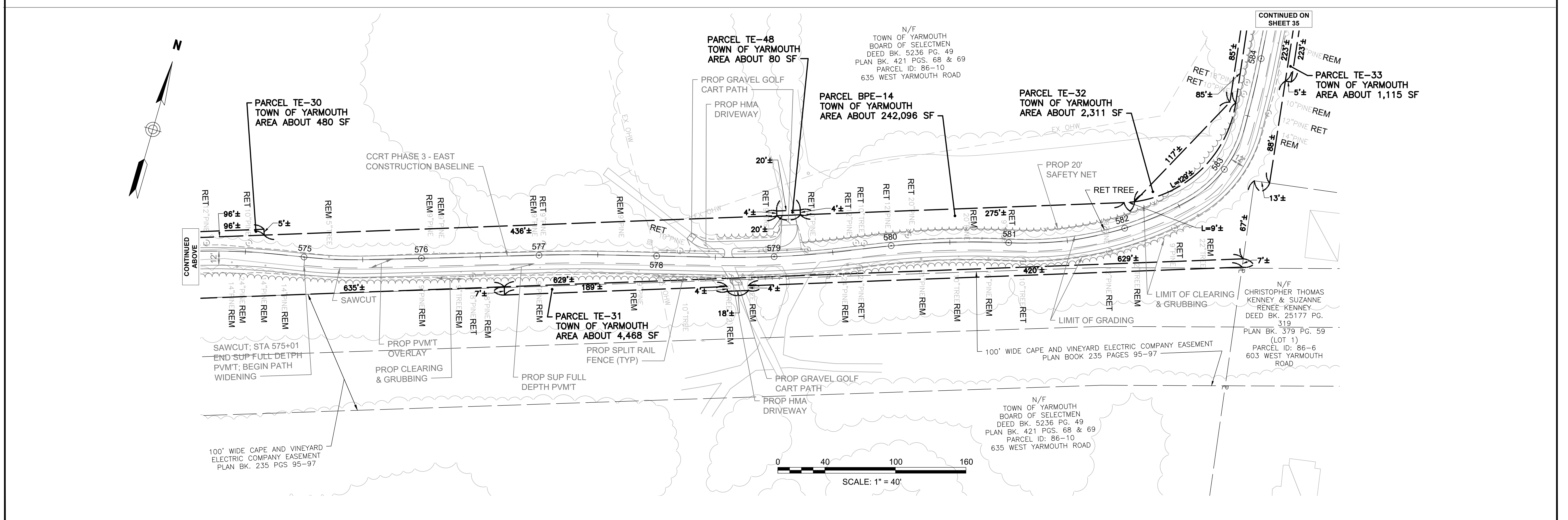
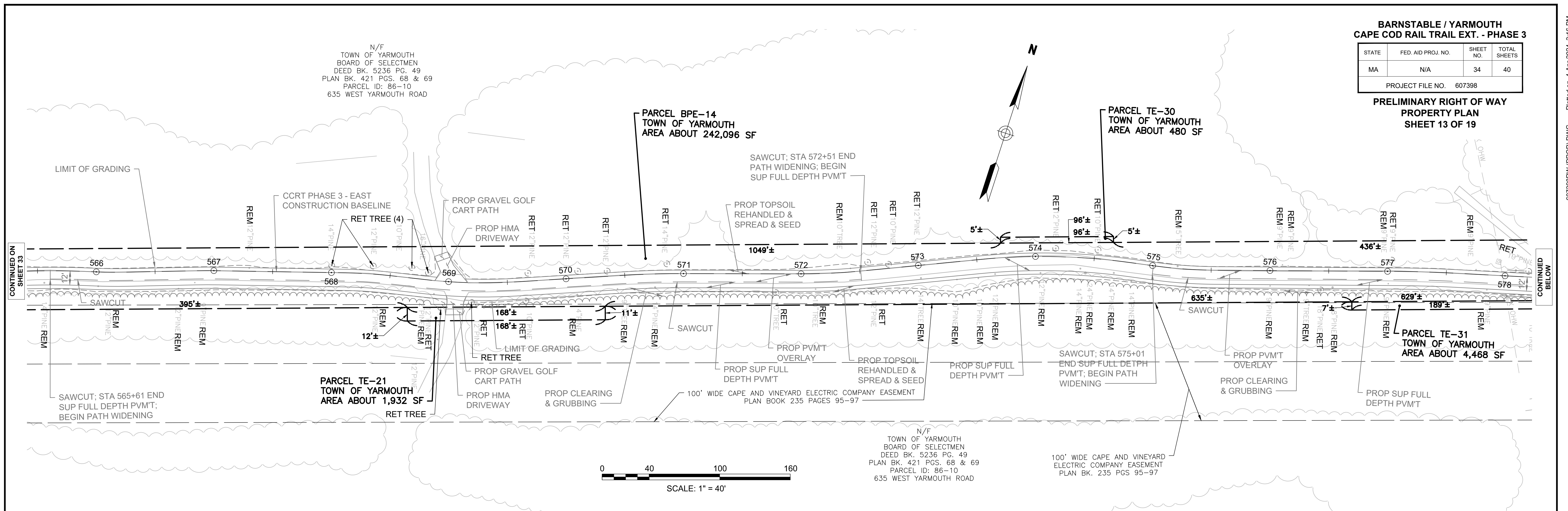


**BARNSTABLE / YARMOUTH
CAPE COD RAIL TRAIL EXT. - PHASE 3**

STATE	FED AID PROJ. NO.	SHEET NO.	TOTAL SHEETS
MA	N/A	34	40

PROJECT FILE NO. 607398

**PRELIMINARY RIGHT OF WAY
PROPERTY PLAN
SHEET 13 OF 19**



N/F
TOWN OF YARMOUTH
BOARD OF SELECTMEN
DEED BK. 5236 PG. 49
PLAN BK. 421 PGS. 68 & 69
PARCEL ID: 86-10
635 WEST YARMOUTH ROAD

PARCEL BPE-14
TOWN OF YARMOUTH
AREA ABOUT 242,096 SF

PARCEL TE-30
TOWN OF YARMOUTH
AREA ABOUT 480 SF

PARCEL TE-21
TOWN OF YARMOUTH
AREA ABOUT 1,932 SF

PARCEL TE-31
TOWN OF YARMOUTH
AREA ABOUT 4,468 SF

PARCEL TE-48
TOWN OF YARMOUTH
AREA ABOUT 80 SF

PARCEL BPE-14
TOWN OF YARMOUTH
AREA ABOUT 242,096 SF

PARCEL TE-32
TOWN OF YARMOUTH
AREA ABOUT 2,311 SF

PARCEL TE-33
TOWN OF YARMOUTH
AREA ABOUT 1,115 SF

PARCEL TE-31
TOWN OF YARMOUTH
AREA ABOUT 4,468 SF

N/F
TOWN OF YARMOUTH
BOARD OF SELECTMEN
DEED BK. 5236 PG. 49
PLAN BK. 421 PGS. 68 & 69
PARCEL ID: 86-10
635 WEST YARMOUTH ROAD

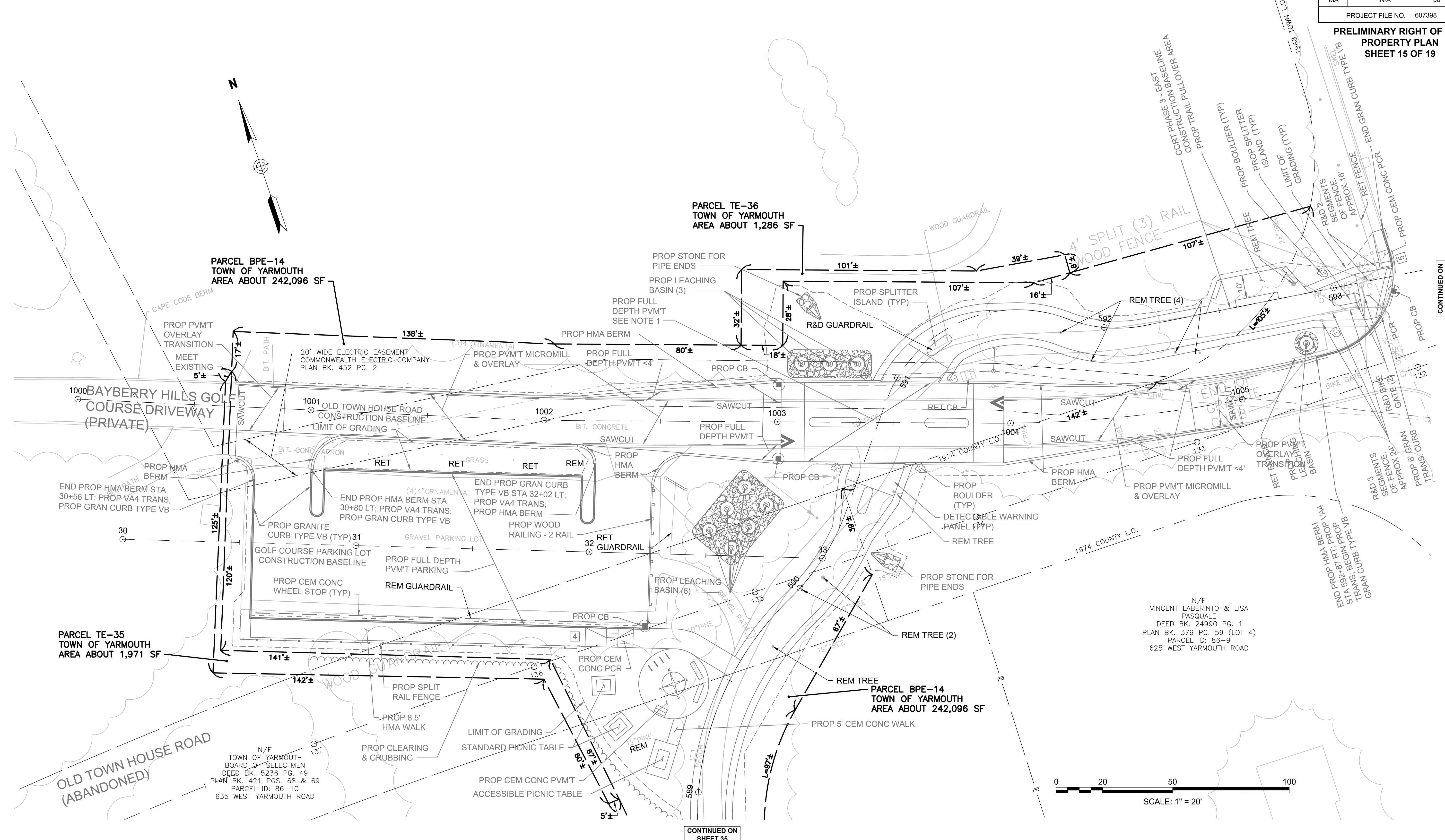
N/F
CHRISTOPHER THOMAS
KENNEY & SUZANNE
RENEE KENNEY
DEED BK. 25177 PG.
319
PLAN BK. 379 PG. 59
(LOT 1)
PARCEL ID: 86-6
603 WEST YARMOUTH
ROAD

**BARNSTABLE / YARMOUTH
CAPE COD RAIL TRAIL EXT. - PHASE 3**

STATE	FED. AID PROJ. NO.	SHEET NO.	TOTAL SHEETS
MA	N/A	36	40

PROJECT FILE NO. 607398

**PRELIMINARY RIGHT OF WAY
PROPERTY PLAN
SHEET 15 OF 19**



CONTINUED ON SHEET 35

CONTINUED ON SHEET 35

N/F
VINCENT LABERINTO & LISA
PASQUALE
DEED BK. 24990 PG. 1
PLAN BK. 379 PG. 59 (LOT 4)
PARCEL ID: 86-9
625 WEST YARMOUTH ROAD

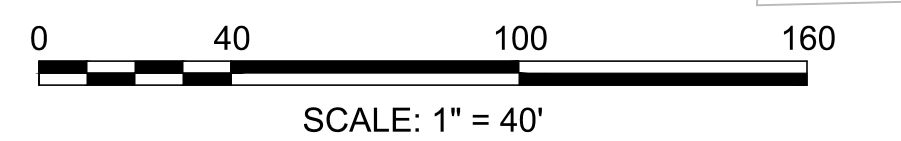
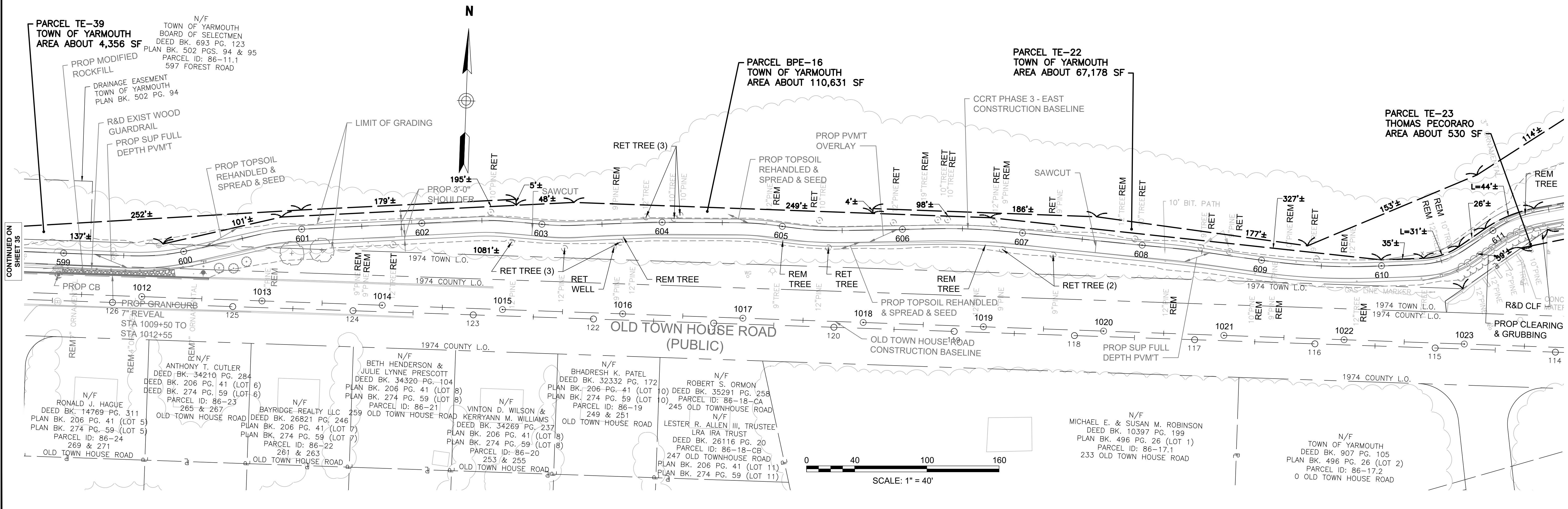
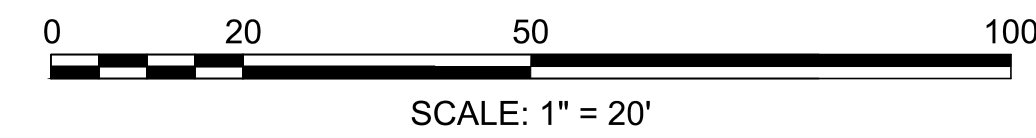
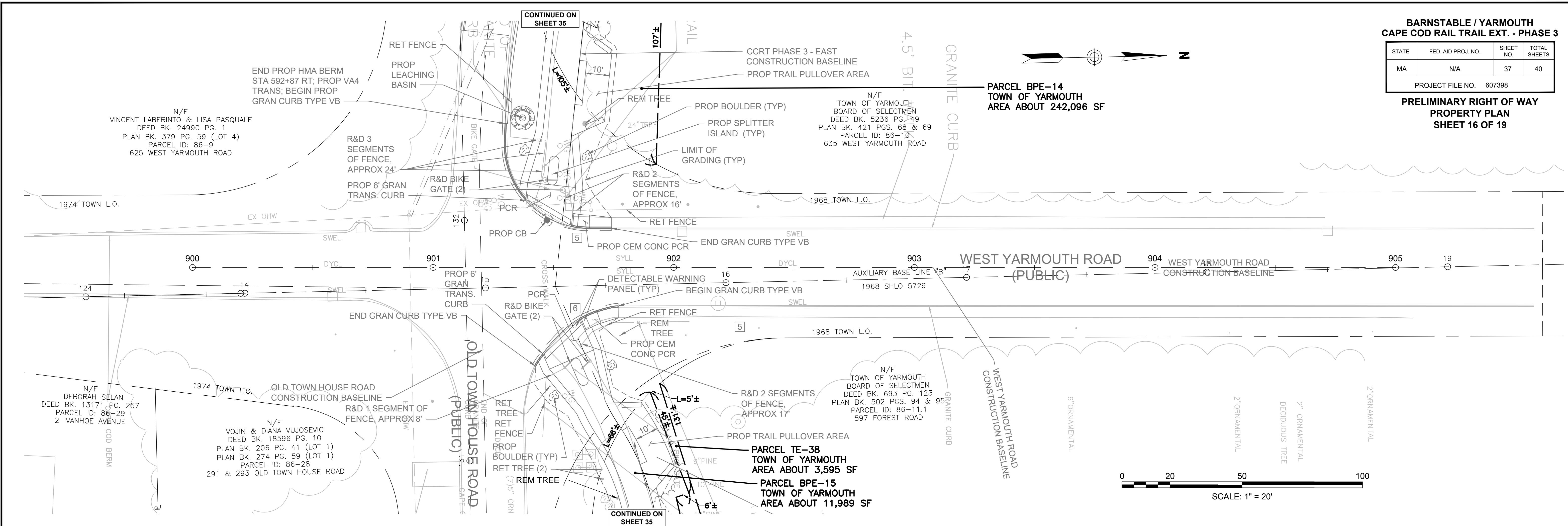
N/F
TOWN OF YARMOUTH
BOARD OF SELECTMEN
DEED BK. 5236 PG. 49
PLAN BK. 421 PGS. 68 & 69
PARCEL ID: 86-10
635 WEST YARMOUTH ROAD

**BARNSTABLE / YARMOUTH
CAPE COD RAIL TRAIL EXT. - PHASE 3**

STATE	FED AID PROJ. NO.	SHEET NO.	TOTAL SHEETS
MA	N/A	37	40

PROJECT FILE NO. 607398

**PRELIMINARY RIGHT OF WAY
PROPERTY PLAN
SHEET 16 OF 19**

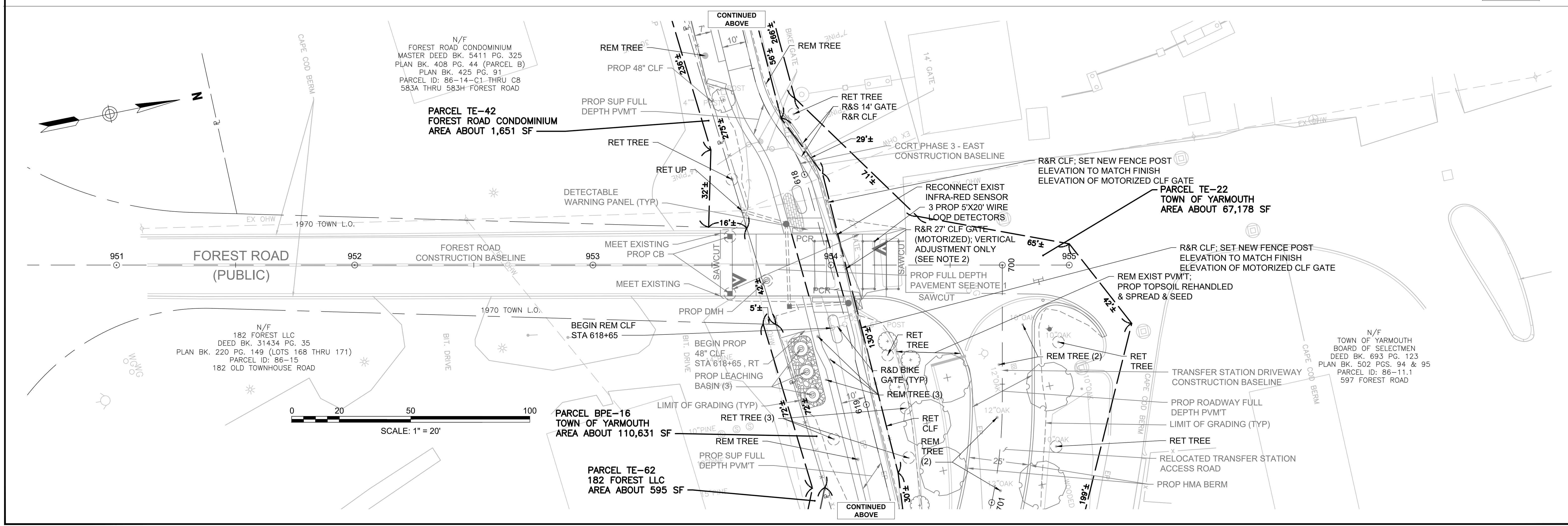
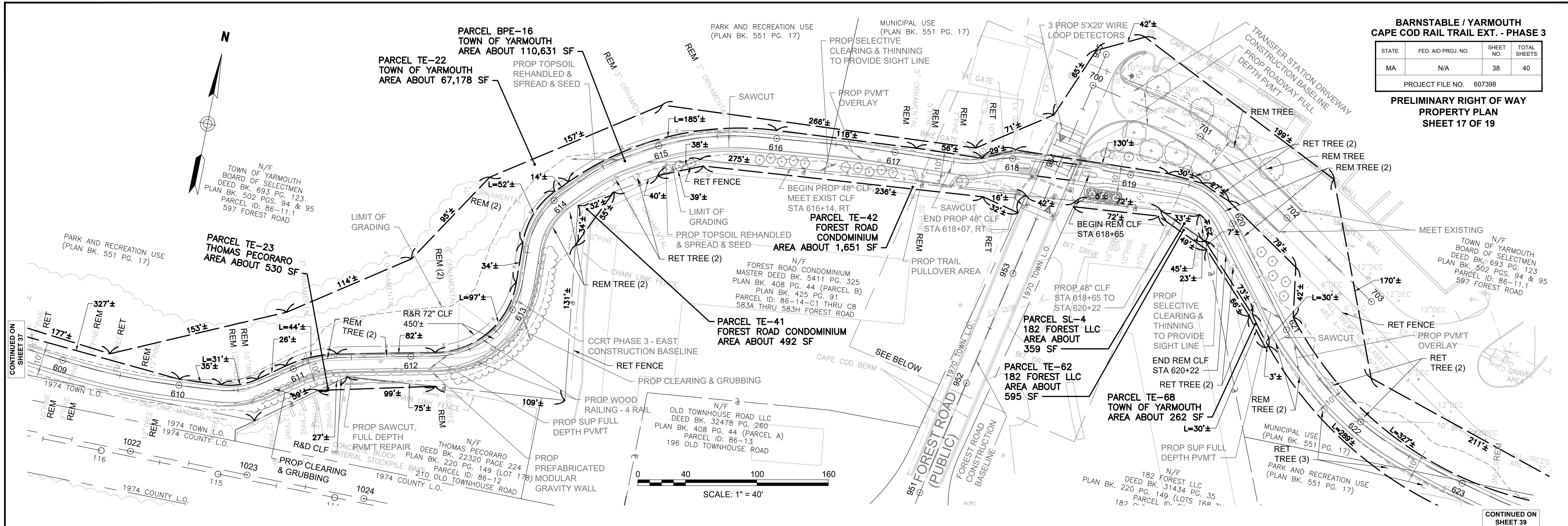


**BARNSTABLE / YARMOUTH
CAPE COD RAIL TRAIL EXT. - PHASE 3**

STATE	FED AID PROJ. NO.	SHEET NO.	TOTAL SHEETS
MA	N/A	38	40

PROJECT FILE NO. 607398

**PRELIMINARY RIGHT OF WAY
PROPERTY PLAN
SHEET 17 OF 19**

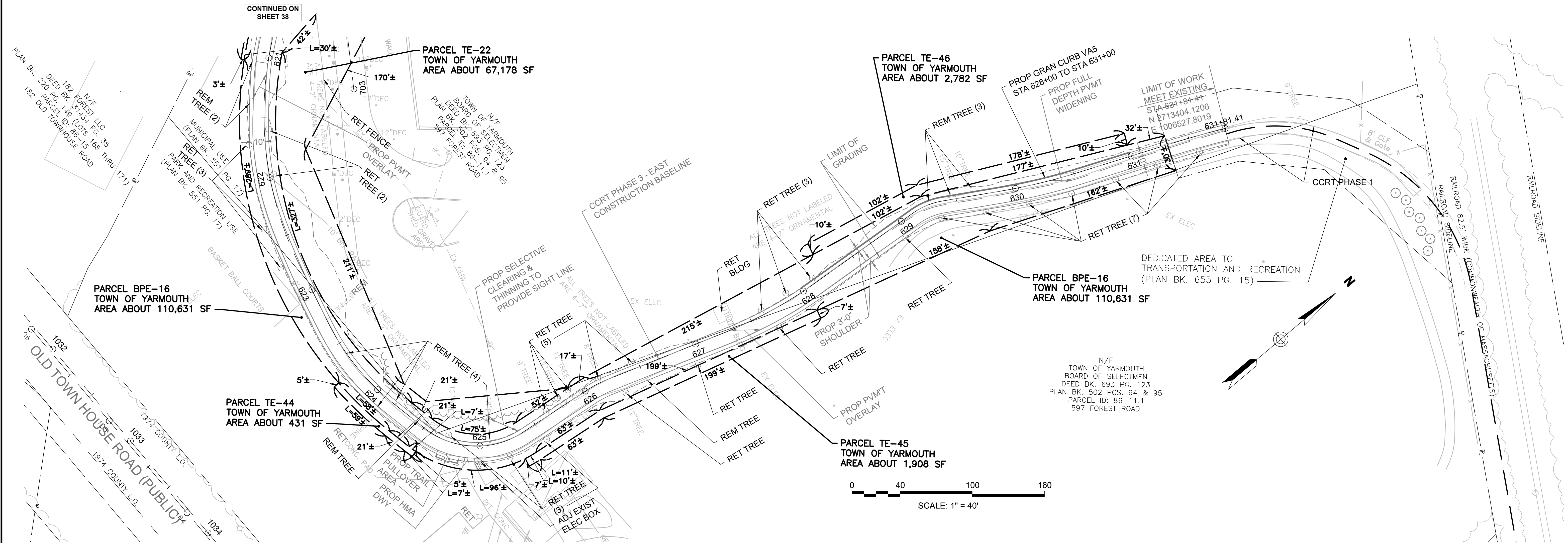


**BARNSTABLE / YARMOUTH
CAPE COD RAIL TRAIL EXT. - PHASE 3**

STATE	FED. AID PROJ. NO.	SHEET NO.	TOTAL SHEETS
MA	N/A	39	40

PROJECT FILE NO. 607398

**PRELIMINARY RIGHT OF WAY
PROPERTY PLAN
SHEET 18 OF 19**



**BARNSTABLE / YARMOUTH
CAPE COD RAIL TRAIL EXT. - PHASE 3**

STATE	FED AID PROJ. NO.	SHEET NO.	TOTAL SHEETS
MA	N/A	40	40

PROJECT FILE NO. 607398

**PRELIMINARY RIGHT OF WAY
PROPERTY PLAN
SHEET 19 OF 19**

